



AIRMOVERS (AIR AMPLIFIERS)



BRAUER[®]

Since 1926, Brauer has been providing industry with the finest engineered products, expert technical support, on time deliveries and unparalleled customer service. Our brands are now recognised world-wide as products of the highest quality, and the breadth of our product portfolio provides our demanding customers with a tooling solution for a wide variety of problems.

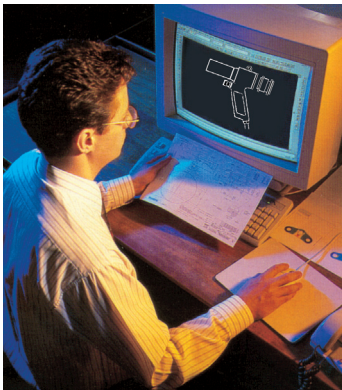
Brauer continues to be committed to bringing new innovative tooling products to the market place, and to updating and improving existing product ranges wherever possible. This new Brauer Airmover (air amplifier) catalogue updates our long standing, and successful range of airmovers which have led the market for over 40 years. In addition, this catalogue introduces a large number of innovative additions to our airmover range, all designed and manufactured to the very highest standards.

Our team of highly talented engineers is backed by the latest computer aided design facilities including three dimensional feature based parametric solid modelling. Manufacturing is carried out in our modern, well equipped factory accredited with ISO 9001 certification and situated in Milton Keynes, some 40 miles north of London.

At Brauer, we continue to be motivated by working with our customers in providing innovative solutions for their particular tooling requirements. These working partnerships, built by many years of unparalleled customer service, will ensure that Brauer branded tooling, and airmovers in particular, will remain at the forefront of their markets.

To view the complete tooling portfolio manufactured by the Brauer companies, please consult our web site at www.Brauer.co.uk.

SPECIAL PRODUCTS TO SUIT YOUR PARTICULAR NEEDS



If, after considering our standard range of product, you are unable to find a solution to suit your particular application, then please consult our sales and design engineers who will be only too pleased to consider the design and manufacture of a **customised** specially designed item to meet your particular needs.

*For further details of
any Brauer Product
contact*



BRAUER[®]

M & R 981 LTD T/A HMC BRAUER
DAWSON ROAD, MOUNT FARM, MILTON KEYNES, BUCKS MK1 1JP, ENGLAND

TEL: 00 44(0)1908-374022 FAX: 00 44(0)1908-641628
email: sales@brauer.co.uk Web: www.brauer.co.uk

© M & R 981 Ltd T/A HMC Brauer

No part of this publication may be reproduced in any form (including photocopying or storing in any medium by electronic means) without the written permission of M & R 981 Ltd T/A HMC Brauer.

HMC Brauer reserves the right to change the design or specification of the products shown in this catalogue without prior notification.

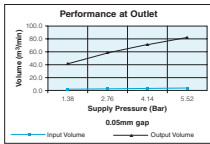
VISIT OUR WEBSITE AT: www.brauer.co.uk

AIRMOVERS

Temperature conversion

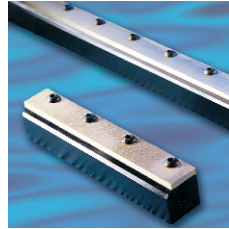
$$C = \frac{5}{9} (F - 32)$$

$$F = \frac{9}{5} C + 32$$



STANDARD ISO UNIT INFORMATION

3

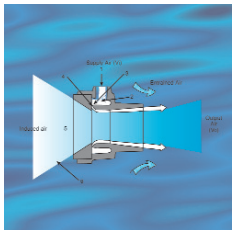


STRIP AIRMOVERS

- Aluminium Strip Airmovers
- Stainless Steel Strip Airmovers

26-30

30-33



AIRMOVER PRINCIPLE EXPLAINED

4-5



RING BLADE AIR WIPE SYSTEM

34-36



- AIRMOVERS**
- Fixed Gap
 - Adjustable Gap

6-9

10-14



TRIGGER ACTION BLOW GUNS

37-39



- AIRMOVERS**
- Stainless Steel Adjustable Gap

15-18



REVERSIBLE AIR GUNS

39-40



- AIRMOVERS**
- Acetal Adjustable Gap

19-22



AIRMISER NOZZLES

41-44



UNIVERSAL CONNECTOR JOINTS

25



EASY CLEAN DRUM PUMP

45-47



VORTEX TUBES

48-49



COLD AIR GUNS

50-51



CABINET COOLERS

52-53



EXTRACTOR VENTILATORS

54-57



RING VAC PUMPS

23-24



ANTI STATIC ELIMINATOR BARS

60



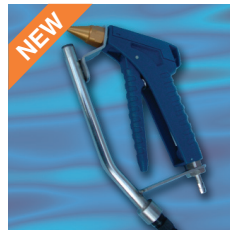
STRIP AIRMOVERS

61



IONISED AIR NOZZLE SYSTEMS

62



ELECTROSTATIC ELIMINATOR PRODUCTS

58-68



POWER UNITS

65



710/710E STATIC METERS

66



ANTI STATIC EXTRACTOR VENTILATORS

67-68

STANDARD ISO UNIT INFORMATION

STANDARD UNITS

- i. Metric (1" = 25.4mm)
- ii. Pressure = bar
- iii. Flow Rate = m³/min
- iv. Air Fittings = G¹/₈ = ¹/₈" thread of BSP parallel
- v. - KPa \approx vacuum %

Conversion Table – Flow Rate

	cubic feet per minute	UK gallons per min	UK gallons per hour	US gallons per min	litres/sec	litres/min	m ³ /h
cubic feet per minute	1	6.23	374	7.48	0.472	28.3	1.7
UK gallons per min	0.161	1	60	1.2	0.0758	4.55	0.273
litres/min	0.0353	0.22	13.2	0.264	0.0167	1	0.06
m ³ /h	0.589	3.67	220	4.4	0.278	16.7	1

Pressure conversion

bar	PSI	bar	PSI
1	14.5	20	290.0
2	29.0	30	435.0
3	43.5	40	580.0
4	58.0	50	725.0
5.5	79.8	60	870.0
6	87.0	70	1015.0
7	101.5	80	1160.0
8	116.0	90	1305.0
9	130.5	100	1450.0
10	145.0		

Temperature conversion

$$C = \frac{5}{9} (F - 32)$$

$$F = \frac{9}{5} C + 32$$

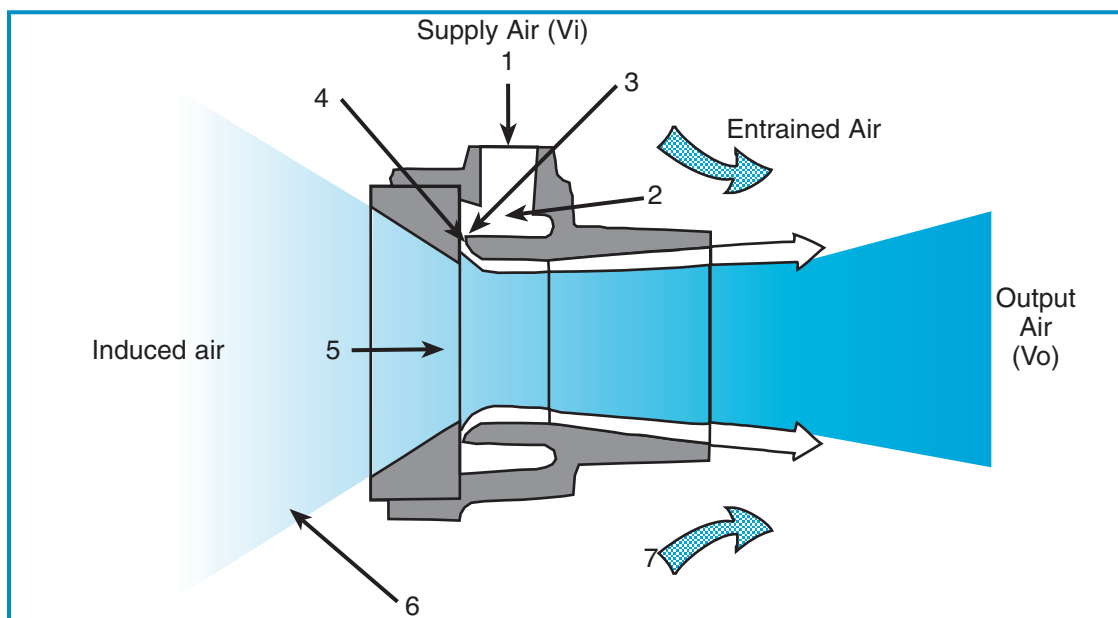
AIRMOVERS EXPLAINED

If you are looking to convey light materials, extract fumes, smoke or air, or simply cool down a hot area of a product quickly then airmovers provide a simple, cost effective means of achieving your aim. Using the energy from a small volume of compressed air (supplied from a standard compressor) an airmover amplifies surrounding air to high volume, low pressure output airflow using the coanda effect.

Airmovers are extremely quiet and efficient and can amplify compressed air input up to 100 times allowing increased airflow while substantially reducing compressed air consumption.

How Airmovers Work

An airmover is an air flow amplifier — it uses the energy from a small volume of compressed air (from the normal shop supply) to produce a high velocity, high volume, low pressure output airflow.



V_i = Volume of supply air (free air at atmospheric pressure)

V_o = Volume output, **ducted**
= V_i + Induced air

V_o = Volume output, **unducted**
= V_i + Induced air + Entrained air

Compressed air flows from the supply inlet (1) into an annular chamber (2).

The supply air is throttled by an annular gap (3) and the resultant thin layer of high velocity air adheres to the profile (4) which turns the flow through 90° to pass down the bore (5).

The action of the high velocity supply air flowing over the profile causes a pressure drop which induces large volumes of ambient air (6).

This induced flow is augmented, and gains velocity, by contact with the supply air flow through the bore of the unit.

When an Airmover is used without output ducting, the high volume flow of supply and induced air from the bore entrains further ambient air.

The final ratio of supply (free) air volume to output volume (induced + supply + entrained air) can exceed 100:1.

AIRMOVER ADVANTAGES

Airmovers/Air amplifiers have the following *features* and *characteristics*:-

- ❖ They have no moving parts and are very safe
- ❖ When used with an effective filter they require no maintenance
- ❖ They are quiet in operation
- ❖ They have unobstructed bores
- ❖ Their output is variable by regulation of the supply air
- ❖ They can be instantly stopped or started
- ❖ No combustion hazard
- ❖ No electrical interference
- ❖ Both the inlet and outlet stages can be ducted, allowing fresh air to be drawn in, for the removal of fumes or conveying of small particles

ADVANTAGES OVER FANS

- ❖ More compact, simple, lightweight and portable
- ❖ Driven by air, not electricity
- ❖ No moving parts – hence safer and maintenance free
- ❖ Each end can be ducted

SOME SIMPLE AIRMOVER APPLICATIONS

- ❖ Drying wet surfaces
- ❖ Drying water based paints
- ❖ Blowing off and cleaning mechanical parts
- ❖ Cooling heat in moulds and ovens
- ❖ Extracting smoke and fumes e.g. in welding
- ❖ Venting fumes in tanks e.g. in ship cargo holds

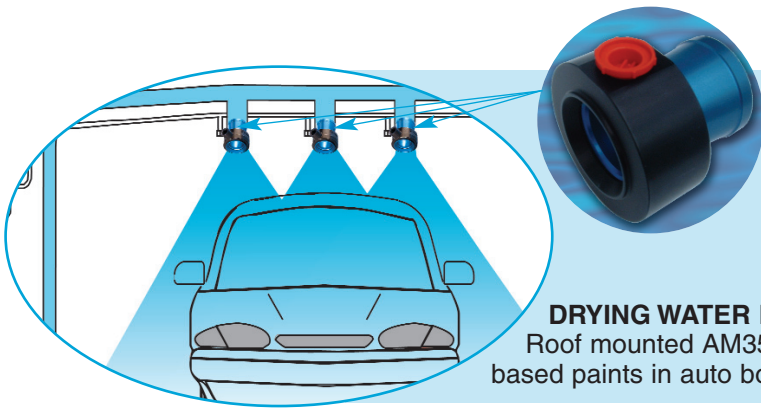
FOR FURTHER TECHNICAL DATA AND INFORMATION ON FLOW RATES PLEASE CONTACT BRAUER TECHNICAL SALES DEPARTMENT.

FIXED GAP AIRMOVERS

BRAUER has been the leading manufacturer of fixed gap airmovers for 40 years, and these products form the core of our airmover product range. Other manufacturers have copied these products – a compliment to our air mover engineering design and success.

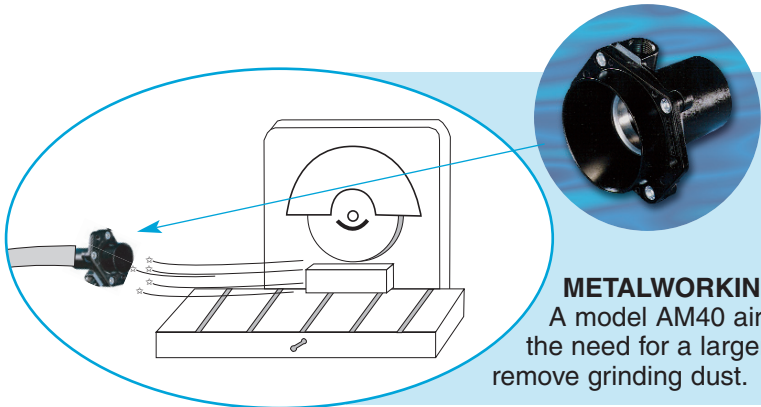
Our range of inexpensive fixed gap airmovers should provide a solution for the great majority of possible applications. However, our design engineers continue to develop our range, and we are also prepared to consider, the design and manufacture of special products to meet the customers specific requirements.

SOME TYPICAL APPLICATIONS – AIRMOVERS/AIR AMPLIFIERS



DRYING WATER BASED PAINTS

Roof mounted AM35 airmovers drying environmentally friendly water based paints in auto body shops or assembly lines.



METALWORKING - GRINDING

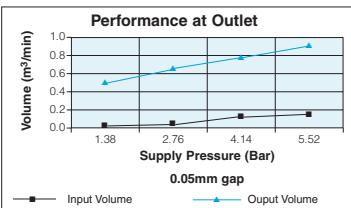
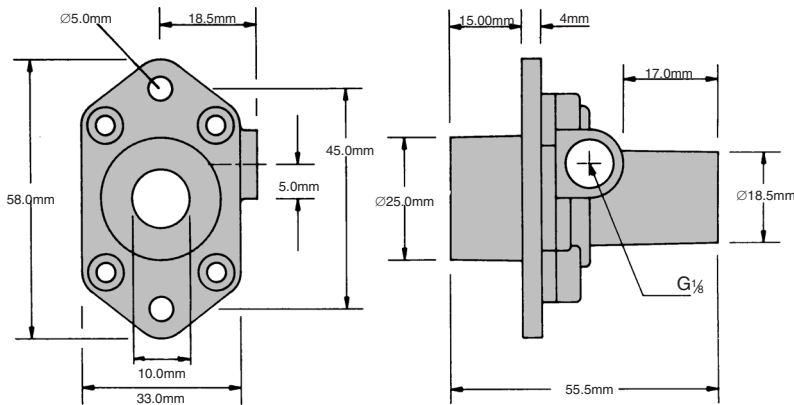
A model AM40 airmover boosts a vacuum system negating the need for a larger, more expensive ventilation system to remove grinding dust.



DRYING ENAMEL BASED PAINTS

Side mounted AM40 airmover drying enamel paint on a radiator manufacturing line.

FIXED GAP AIRMOVER AM10



Bar	Vol in m ³ /min	Vol out m ³ /min
1.38	0.048	0.490
2.76	0.065	0.660
4.14	0.125	0.733
5.52	0.164	0.886

PERFORMANCE DATA – DUCTED

METRIC	Back Pressure (mm water gauge) and guide to equivalent pipe length												
	125mm water gauge		250mm water gauge		375mm water gauge		500mm water gauge		625mm water gauge				
Supply Pressure kg/cm ²	Vi m ³ /min	Vc m ³ /min	Equiv. Pipe length m	Vo m ³ /min	Equiv. Pipe length m	Vo m ³ /min	Equiv. Pipe length m	Vo m ³ /min	Equiv. Pipe length m	Vo m ³ /min	Equiv. Pipe length m	Vo m ³ /min	Equiv. Pipe length m
2	.060	.26	7	.13	50								
3	.070	.47	2	.31	9	.20	37						
4	.115	.64	1	.51	3	.36	10	.33	15	.13	-		
5	.150	.76	1	.65	2	.54	4	.51	6	.37	14		
6	.180	.87	0.5	.78	2	.72	3	.64	4	.58	6		



Material: Zinc and aluminium alloy.

Weight: 0.100Kg

Standard Gap: 0.05mm

dB(A) at: 5.5 bar is 72

Shims: 0.04, 0.05, 0.08mm

Optional Extra

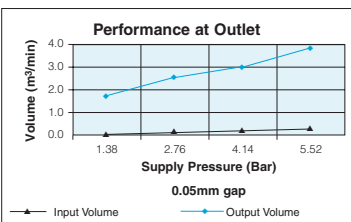
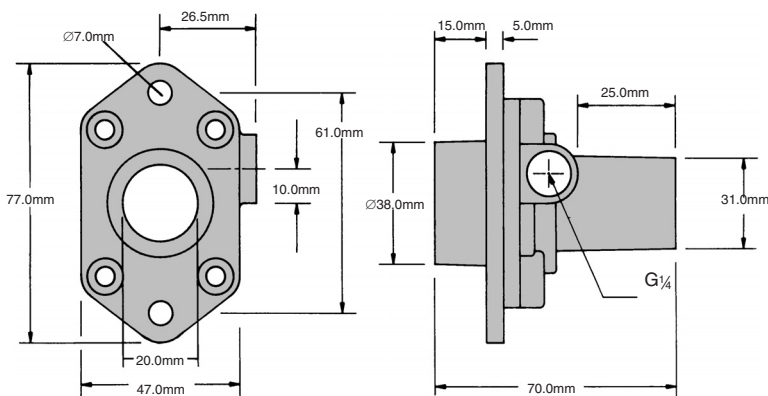
Standard Inlet Thread: G $\frac{1}{8}$

Options: $\frac{1}{8}$ " NPT

Please specify on order $\frac{1}{8}$ " NPTF

Replacement shims

FIXED GAP AIRMOVER AM20



Bar	Vol in m ³ /min	Vol out m ³ /min
1.38	0.105	1.614
2.76	0.164	2.492
4.14	0.224	3.030
5.52	0.286	3.681

PERFORMANCE DATA – DUCTED

METRIC	Back Pressure (mm water gauge) and guide to equivalent pipe length												
	50mm water gauge		100mm water gauge		150mm water gauge		200mm water gauge		250mm water gauge				
Supply Pressure kg/cm ²	Vi m ³ /min	Vc m ³ /min	Equiv. Pipe length m	Vo m ³ /min	Equiv. Pipe length m	Vo m ³ /min	Equiv. Pipe length m	Vo m ³ /min	Equiv. Pipe length m	Vo m ³ /min	Equiv. Pipe length m	Vo m ³ /min	Equiv. Pipe length m
2	.125	.91	2.0	.59	9	.42	27						
3	.170	1.42	0.8	1.03	3	.85	7	.62	18				
4	.210	1.90	0.4	1.46	2	1.25	3	1.05	6	.74	16		
5	.265	2.55	0.3	1.98	1	1.70	2	1.51	3	1.22	6		
6	.295	3.45	0.2	2.75	0.5	2.18	1	2.04	2	1.78	3		



Material: Zinc and aluminium alloy.

Weight: 0.250Kg

Standard Gap: 0.05mm

dB(A) at: 5.5 bar is 79

Shims: 0.04, 0.05, 0.08mm

Optional Extra

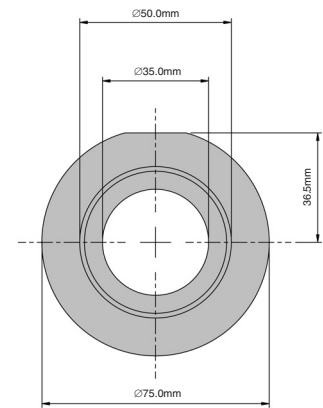
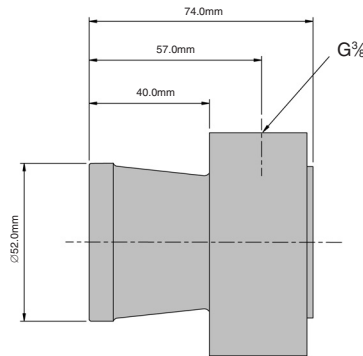
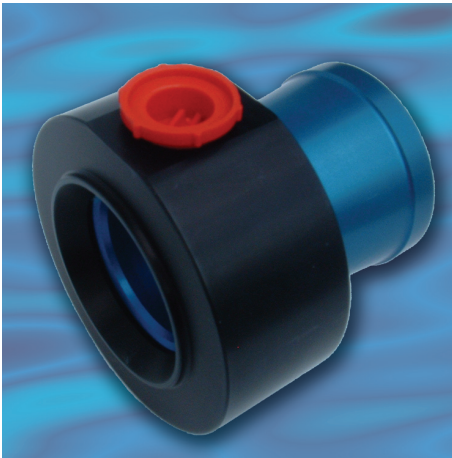
Standard Inlet Thread: G $\frac{1}{4}$ "

Options: $\frac{1}{4}$ " NPT

Please specify on order $\frac{1}{4}$ " NPTF

Replacement shims

AM35 FIXED GAP AIRMOVER



Material: Zinc and aluminium alloy.

Weight: 0.19Kg

Standard Gap: 0.05mm

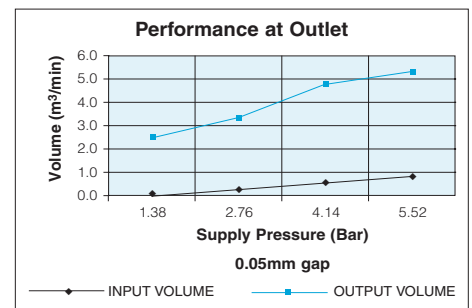
dB(A) at: 5.5 bar is 80

Shims: Not required

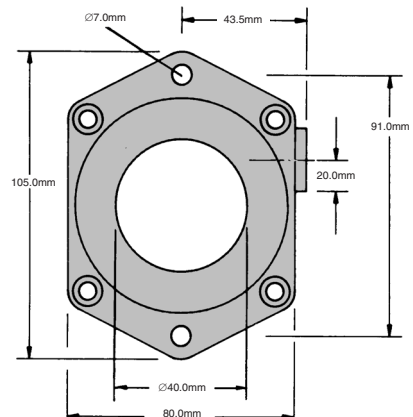
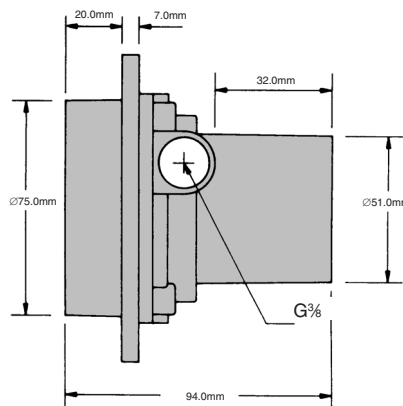
Standard Inlet Thread: G $\frac{3}{8}$

Options: $\frac{3}{8}$ NPT
Please specify on order $\frac{3}{8}$ NPTF

Bar	Vol in m ³ /min	Vol out m ³ /min
1.38	0.193	2.350
2.76	0.326	3.361
4.14	0.484	4.621
5.52	0.631	5.207



AM40 FIXED GAP AIRMOVER



Material: Zinc and aluminium alloy.

Weight: 0.900Kg

Standard Gap: 0.05mm

dB(A) at: 5.5 bar is 80

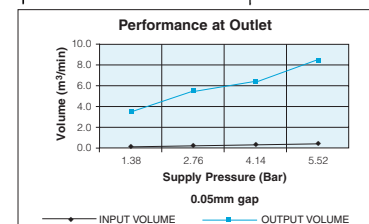
Shims: 0.04, 0.05, 0.08mm

Optional extra

Standard Inlet Thread: G $\frac{3}{8}$

Options: $\frac{3}{8}$ NPT
Please specify on order $\frac{3}{8}$ NPTF
Replacement shims

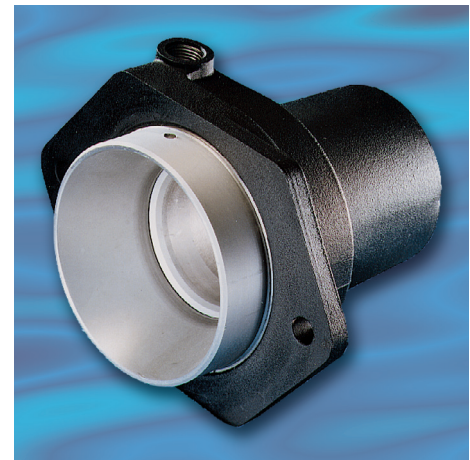
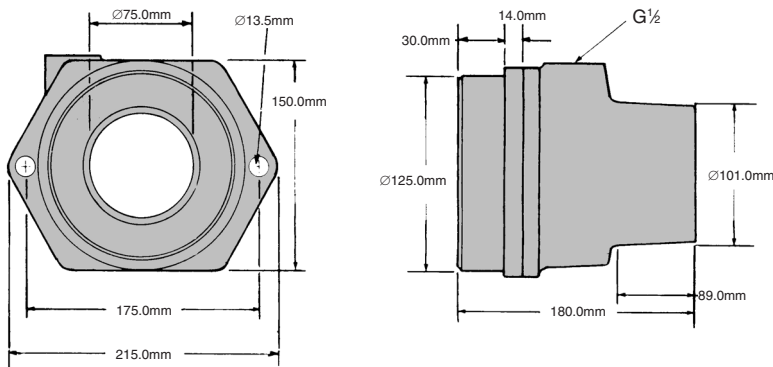
Bar	Vol in m ³ /min	Vol out m ³ /min
1.38	0.207	3.256
2.76	0.323	5.182
4.14	0.439	6.513
5.52	0.555	8.297



PERFORMANCE DATA – DUCTED

METRIC	Back Pressure (mm water gauge) and guide to equivalent pipe length										
	50mm water gauge		100mm water gauge		150mm water gauge		200mm water gauge		250mm water gauge		
	Supply Pressure kg/cm ²	Vi m ³ /min	Vc m ³ /min	Equiv. Pipe length m	Vo m ³ /min	Equiv. Pipe length m	Vo m ³ /min	Equiv. Pipe length m	Vo m ³ /min	Equiv. Pipe length m	
2	.26	1.22	1.00	10	1.00	29					
3	.36	1.97	1.44	4	1.44	14	1.16	34			
4	.42	2.88	2.20	2	2.20	6	1.75	15	1.00	58	
5	.50	4.14	3.08	1	3.08	3	2.49	7	1.80	18	
6	.58	5.41	4.25	0.6	4.25	2	3.20	5	2.63	9	
										1.33	43
										2.20	15

FIXED GAP AIRMOVER AM75



Material: Zinc and aluminium alloy.

Weight: 2.7Kg

Standard Gap: 0.05mm

dB(A) at: 5.5 bar is 80

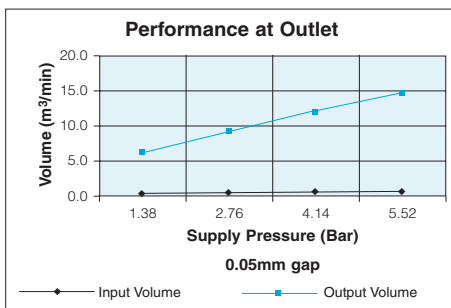
Shims: Not required

Standard Inlet Thread: G $\frac{1}{2}$

Options: $\frac{1}{2}$ " NPT

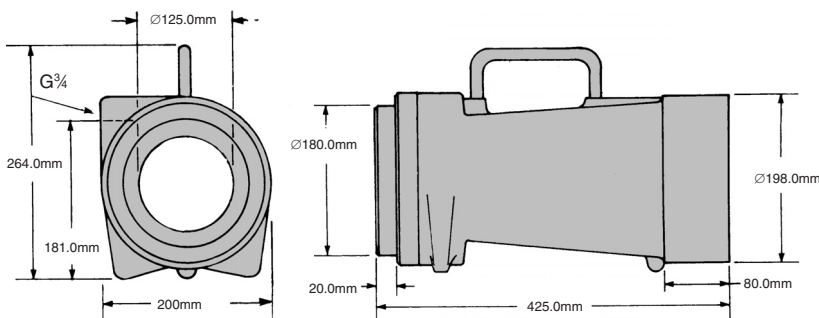
Please specify on order $\frac{1}{2}$ " NPTF

Replacement shims



Bar	Vol in m ³ /min	Vol out m ³ /min
1.38	0.425	6.230
2.76	0.651	9.203
4.14	0.906	12.035
5.52	1.133	14.866

FIXED GAP AIRMOVER AM125



Material: Zinc and aluminium alloy.

Weight: 7.55Kg

Standard Gap: 0.15mm

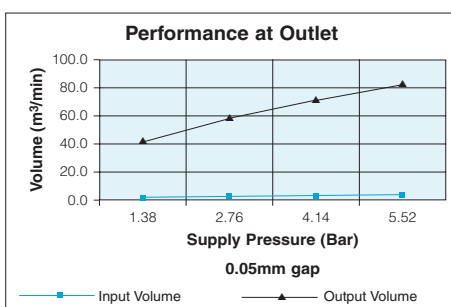
dB(A) at: 5.5 bar is 85

Shims: Not required

Standard Inlet Thread: G $\frac{3}{4}$

Options: $\frac{3}{4}$ " NPT

Please specify on order $\frac{3}{4}$ " NPTF



Bar	Vol in m ³ /min	Vol out m ³ /min
1.38	1.982	38.936
2.76	3.115	53.660
4.14	4.276	68.668
5.52	5.324	80.137

ADJUSTABLE AIRMOVERS

In some applications, the engineer must be able to vary the volume of outlet air. Brauer adjustable airmovers incorporate air gaps which are not fixed, instead the gap can be varied by loosening the knurled ring and adjusting the sleeve accordingly. The result is that air consumption can be minimised and output volumes varied from a light blow to a blast of high volume air. When the desired air flows are obtained, the knurled ring can be locked into position. In most instances, the ideal air gap will be between 0.05mm and 0.10mm (.002" to .004")

The Brauer standard range of adjustable airmovers are manufactured in our factory from aluminium. Stainless steel versions are also available when the application requires (see page 15)

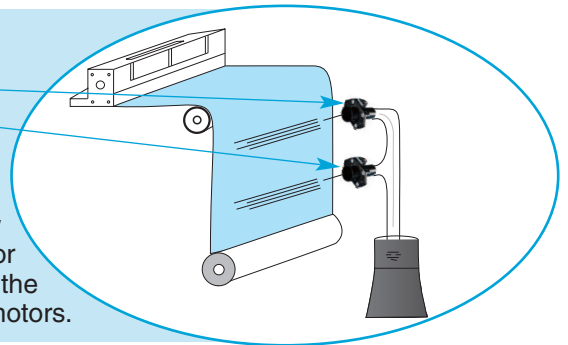
Optional mounting rings and magnetic base are available (see page 22).

SOME TYPICAL APPLICATIONS – ADJUSTABLE AIRMOVERS



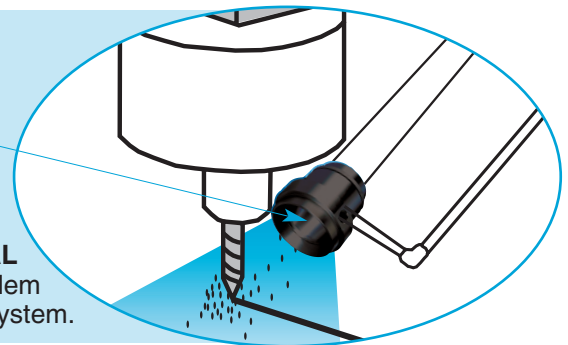
SCRAP REMOVAL ON TEXTILES

Two model AM10A airmovers used for fine adjustment of air flow which eliminate expensive vacuums and electric motors for trimming removal. Airmovers have the capability to remove the overheating problems inherent in electric motors.

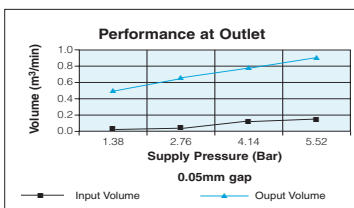
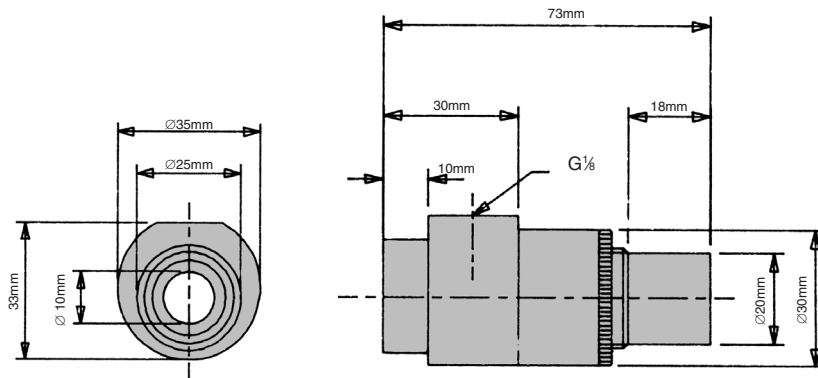


WOODWORKING - SAWDUST REMOVAL

AM60A airmovers used on this router eliminate the sawdust problem by boosting the vacuum system.



ADJUSTABLE AIRMOVER AM10A



Bar	Vol in m³/min	Vol out m³/min
1.38	0.048	0.490
2.76	0.065	0.660
4.14	0.125	0.733
5.52	0.164	0.886



Material: Aluminium alloy.

Weight: 0.09Kg

Standard Gap: Adjustable

dB(A) at: 5.5 bar is 73

Shims: Not Applicable

Standard Inlet Thread: G $\frac{1}{8}$

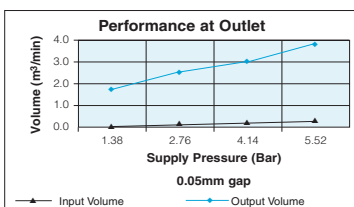
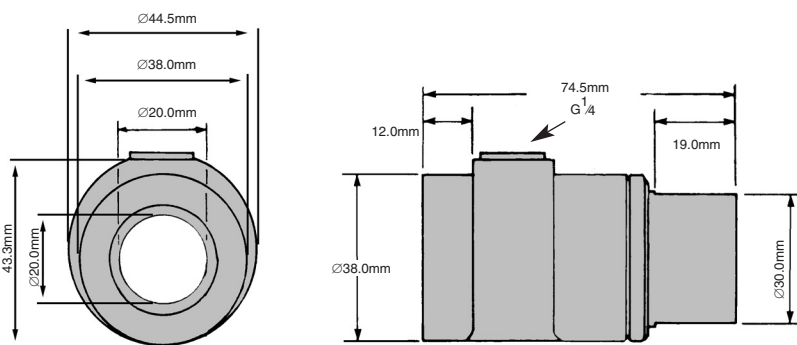
Options:

Please specify on order $\frac{1}{8}$ " NPT
 $\frac{1}{8}$ " NPTF

PERFORMANCE DATA – DUCTED

METRIC	Back Pressure (mm water gauge) and guide to equivalent pipe length												
	125mm water gauge			250mm water gauge			375mm water gauge		500mm water gauge		625mm water gauge		
Supply Pressure kg/cm ²	VI m ³ /min	Vc m ³ /min	Equiv. Pipe length m	Vc m ³ /min	Equiv. Pipe length m	Vc m ³ /min	Equiv. Pipe length m	Vc m ³ /min	Equiv. Pipe length m	Vc m ³ /min	Equiv. Pipe length m	Vc m ³ /min	Equiv. Pipe length m
2	.060	.26	7	.13	50	.20	37	.33	15	.13	-	-	-
3	.070	.47	2	.31	9	.36	10	.51	6	.37	14	6	6
4	.115	.64	1	.51	3	.54	4	.64	4	.58	6	6	6
5	.150	.76	1	.65	2	.72	3						
6	.180	.87	0.5	.78	2								

ADJUSTABLE AIRMOVER AM20A



Bar	Vol in m³/min	Vol out m³/min
1.38	0.105	1.614
2.76	0.164	2.492
4.14	0.224	3.030
5.52	0.286	3.681



Material: Aluminium alloy.

Weight: 0.13Kg

Standard Gap: Adjustable

dB(A) at: 5.5 bar is 79

Shims: Not Applicable

Standard Inlet Thread: G $\frac{1}{4}$

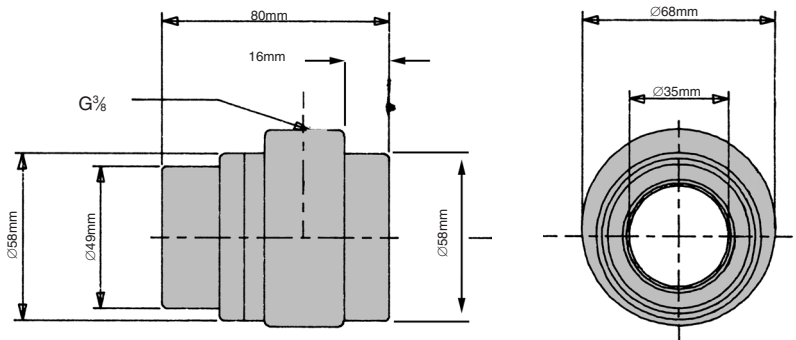
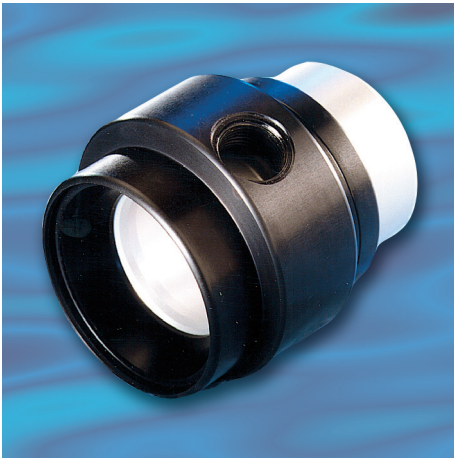
Options:

Please specify on order $\frac{1}{4}$ " NPT
 $\frac{1}{4}$ " NPTF

PERFORMANCE DATA – DUCTED

METRIC	Back Pressure (mm water gauge) and guide to equivalent pipe length												
	50mm water gauge			100mm water gauge			150mm water gauge		200mm water gauge		250mm water gauge		
Supply Pressure kg/cm ²	VI m ³ /min	Vc m ³ /min	Equiv. Pipe length m	Vc m ³ /min	Equiv. Pipe length m	Vc m ³ /min	Equiv. Pipe length m	Vc m ³ /min	Equiv. Pipe length m	Vc m ³ /min	Equiv. Pipe length m	Vc m ³ /min	Equiv. Pipe length m
2	.125	.91	2.0	.59	9	.42	27	.62	18	.74	16	6	3
3	.170	1.42	0.8	1.03	3	.85	7	1.05	6	1.22	6	6	3
4	.210	1.90	0.4	1.46	2	1.25	3	1.51	3	1.78	3	6	3
5	.265	2.55	0.3	1.98	1	1.70	2	2.04	2				
6	.295	3.45	0.2	2.75	0.5	2.18	1						

AM35A ADJUSTABLE AIRMOVER



Material: Aluminium alloy.

Weight: 0.28Kg

Standard Gap: Adjustable

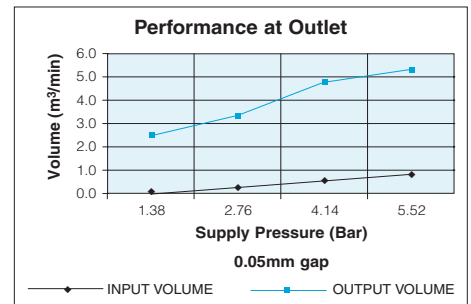
dB(A): 5.5 bar is 80

Shims: Not Applicable

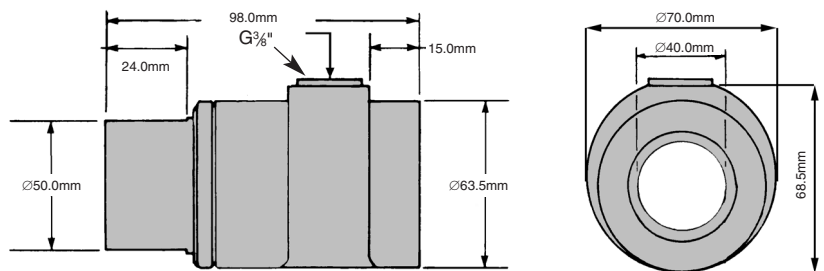
Standard Inlet Thread: G $\frac{3}{8}$

Options: $\frac{3}{8}$ " NPT
Please specify on order $\frac{3}{8}$ " NPTF

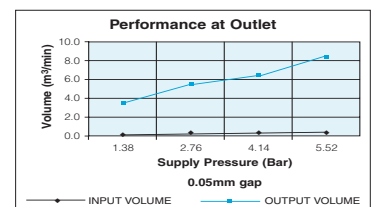
Bar	Vol in m ³ /min	Vol out m ³ /min
1.38	0.193	2.350
2.76	0.326	3.361
4.14	0.484	4.621
5.52	0.631	5.207



AM40A ADJUSTABLE AIRMOVER



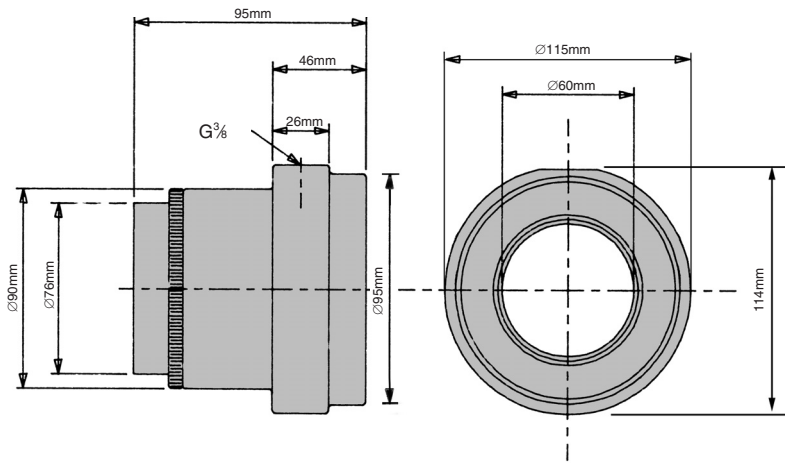
Bar	Vol in m ³ /min	Vol out m ³ /min
1.38	0.207	3.256
2.76	0.323	5.182
4.14	0.439	6.513
5.52	0.555	8.297



PERFORMANCE DATA – DUCTED

METRIC	Back Pressure (mm water gauge) and guide to equivalent pipe length										
	50mm water gauge		100mm water gauge		150mm water gauge		200mm water gauge		250mm water gauge		
	Supply Pressure kg/cm ²	VI m ³ /min	Vc m ³ /min	Equiv. Pipe length m	Vo m ³ /min	Equiv. Pipe length m	Vo m ³ /min	Equiv. Pipe length m	Vo m ³ /min	Equiv. Pipe length m	
2	.26	1.22	10	1.00	29	1.16	34	1.00	58	1.33	43
3	.36	1.97	4	1.44	14	1.75	15	1.80	18	2.20	15
4	.42	2.88	2	2.20	6	2.49	7	2.63	9		
5	.50	4.14	1	3.08	3						
6	.58	5.41	0.6	4.25	2						

ADJUSTABLE AIRMOVER AM60A



Material: Aluminium alloy.

Weight: 0.83Kg

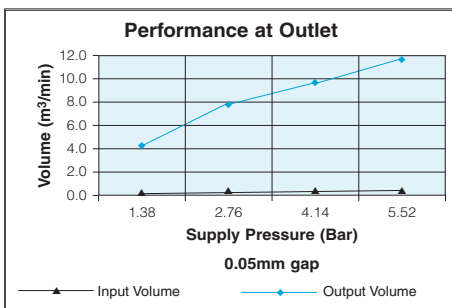
Standard Gap: Adjustable

dB(A): 5.5 bar is 80

Shims: Not Applicable

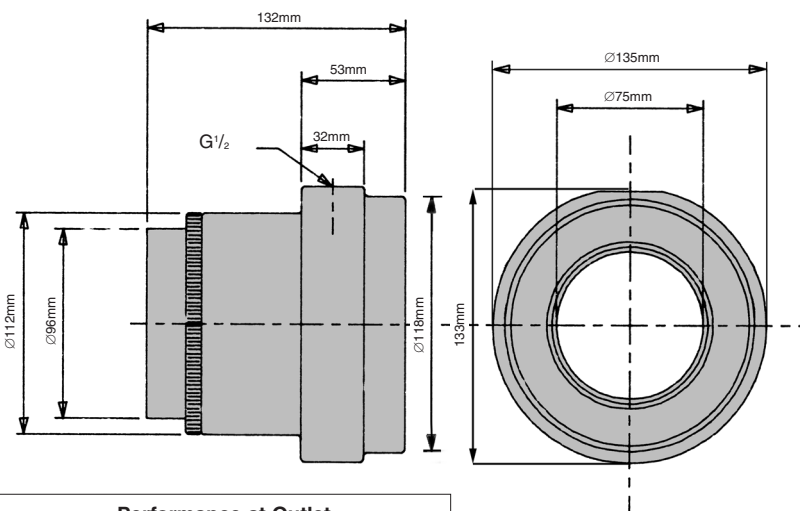
Standard Inlet Thread: G $\frac{3}{8}$

Options: $\frac{3}{8}$ " NPT
Please specify on order $\frac{3}{8}$ " NPTF



Bar	Vol in m 3 /min	Vol out m 3 /min
1.38	0.280	4.191
2.76	0.476	7.561
4.14	0.654	9.231
5.52	0.841	11.327

ADJUSTABLE AIRMOVER AM75A



Material: Aluminium alloy.

Weight: 1.5Kg

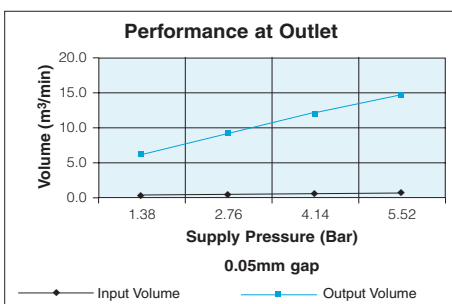
Standard Gap: Adjustable

dB(A) at: 5.5 bar is 80

Shims: Not Applicable

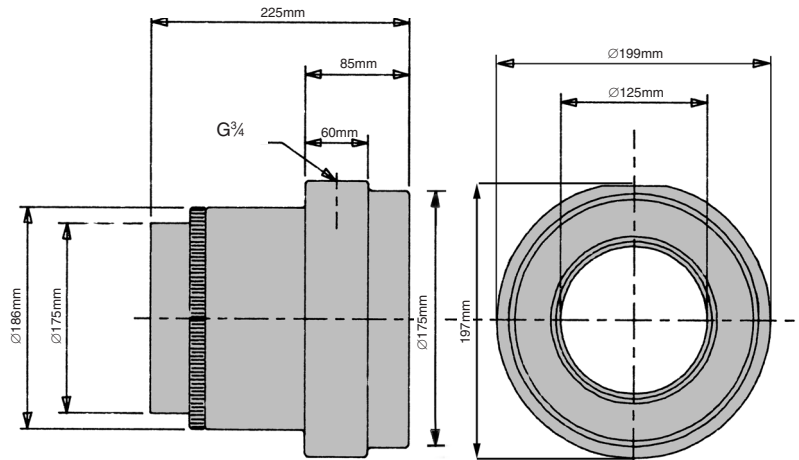
Standard Inlet Thread: G $\frac{1}{2}$

Options: $\frac{1}{2}$ " NPT
Please specify on order $\frac{1}{2}$ " NPTF



Bar	Vol in m 3 /min	Vol out m 3 /min
1.38	0.425	6.230
2.76	0.651	9.203
4.14	0.906	12.035
5.52	1.133	14.866

AM125A ADJUSTABLE AIRMOVER



Material: Aluminium Alloy.

Weight: 5.4Kg

Standard Gap: Adjustable

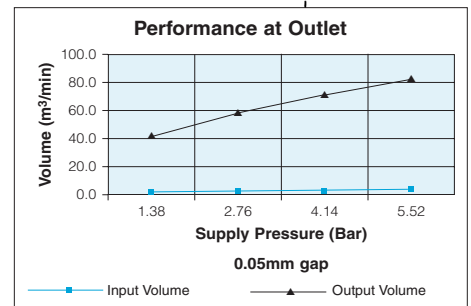
dB(A) at: 5.5 bar is 8.5

Shims: Not applicable

Standard Inlet Thread: $G\frac{3}{4}$

Options: $\frac{3}{4}$ " NPT
Please specify on order $\frac{3}{4}$ " NPTF

Bar	Vol in m ³ /min	Vol out m ³ /min
1.38	1.982	38.936
2.76	3.115	53.660
4.14	4.276	68.668
5.52	5.324	80.137



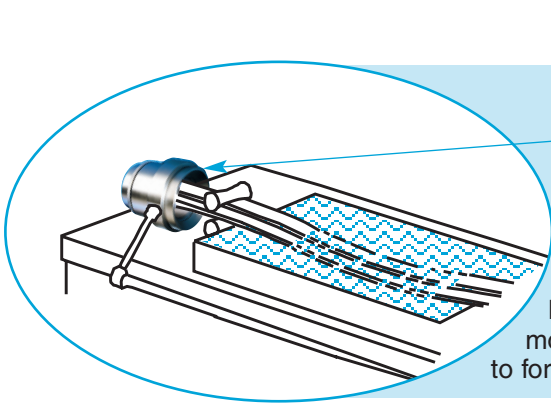
STAINLESS STEEL ADJUSTABLE AIRMOVERS

Airmover applications can exist even in the most hazardous of environments. Alternatively, the hygiene requirements of the food, pharmaceutical and other industries require product friendly tooling. In all of these extremes, stainless steel airmovers can offer a very viable solution. Our range is supplied to demanding customers worldwide and comes with an adjustable airgap.

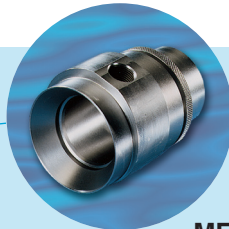
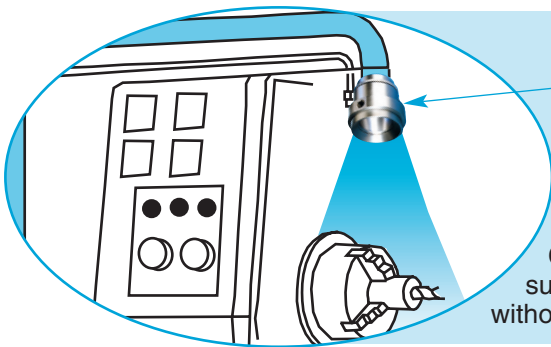
So should your air amplifier be required to resist corrosive environments or be food product friendly, then Brauer has a stainless steel adjustable airmover to meet your needs.

Note: We also manufacture adjustable airmovers in Acetal and in certain applications these may be a suitable alternative to Stainless steel (See page 19)

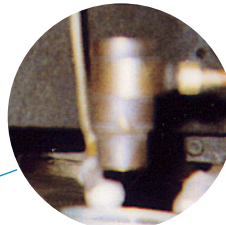
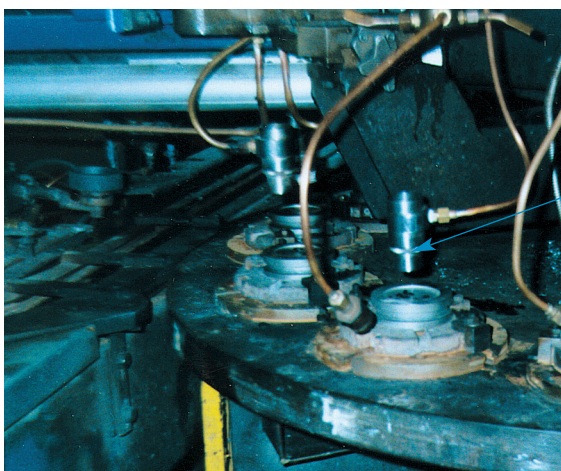
Optional mounting rings and magnetic base are available (see page 22).

SOME TYPICAL APPLICATIONS - STAINLESS STEEL ADJUSTABLE AIRMOVERS**EXTRUSION - RUBBER MOULDING COOLING AND DRYING**

Model SS75A stainless airmovers help set-up and cool this moulding after extrusion. Then blow off and dry the moulding prior to forming. Stainless steel is used in corrosive environments.

**METALWORKING -
COOLANT MIST REMOVAL**

CNC machine with doors closed, oily mist often escapes to surrounding areas. The SS40A airmover solves the problem, without failure of electric motor or vacuum.

**LENS MANUFACTURE**

SS20A's used to cool optical lenses during manufacture.

SS10A STAINLESS STEEL ADJUSTABLE AIRMOVER



Material: Stainless Steel (Grade 304).

Weight: 0.27Kg

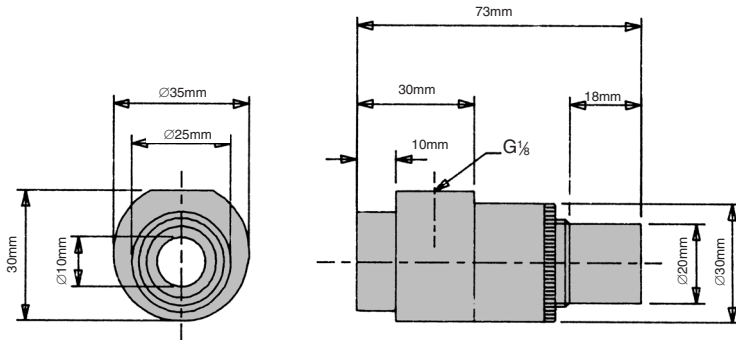
Standard Gap: Adjustable

dB(A) at: 5.5 bar is 72

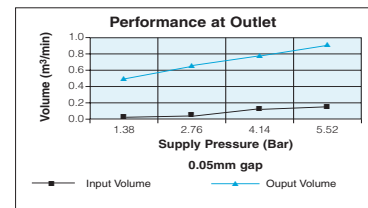
Shims: Not Applicable

Standard Inlet Thread: G $\frac{1}{8}$

Options: $\frac{1}{8}$ " NPT
Please specify on order $\frac{1}{8}$ " NPTF



Bar	Vol in m ³ /min	Vol out m ³ /min
1.38	0.048	0.490
2.76	0.065	0.660
4.14	0.125	0.733
5.52	0.164	0.886



PERFORMANCE DATA – DUCTED

METRIC	Back Pressure (mm water gauge) and guide to equivalent pipe length										
	125mm water gauge		250mm water gauge		375mm water gauge		500mm water gauge		625mm water gauge		
Supply Pressure kg/cm ²	VI m ³ /min	Vc m ³ /min	Equiv. Pipe length m	Vo m ³ /min	Equiv. Pipe length m	Vo m ³ /min	Equiv. Pipe length m	Vo m ³ /min	Equiv. Pipe length m	Vo m ³ /min	Equiv. Pipe length m
2	.060	.26	7	.13	50	.20	37	.33	15	.13	-
3	.070	.47	2	.31	9	.36	10	.51	6	.37	14
4	.115	.64	1	.51	3	.54	4	.64	4	.58	6
5	.150	.76	1	.65	2	.72	3				
6	.180	.87	0.5	.78	2						

SS20A STAINLESS STEEL ADJUSTABLE AIRMOVER



Material: Stainless Steel (Grade 304).

Weight: 0.39Kg

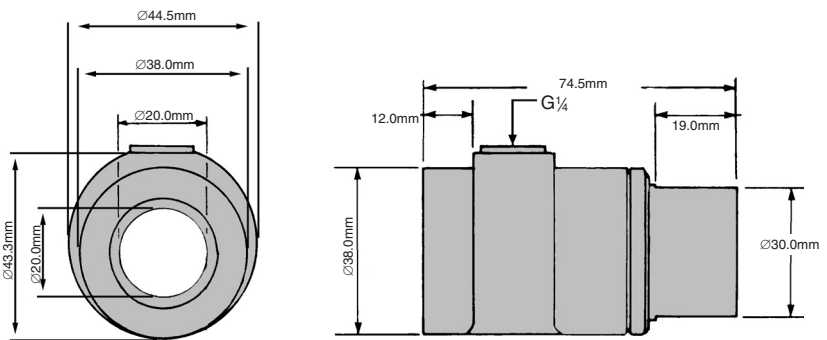
Standard Gap: Adjustable

dB(A) at: 5.5 bar is 78

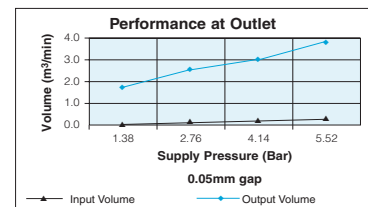
Shims: Not Applicable

Standard Inlet Thread: G $\frac{1}{4}$

Options: $\frac{1}{4}$ " NPT
Please specify on order $\frac{1}{4}$ " NPTF



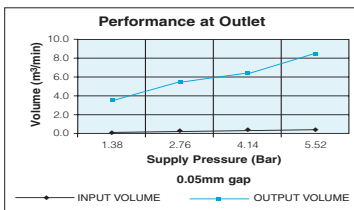
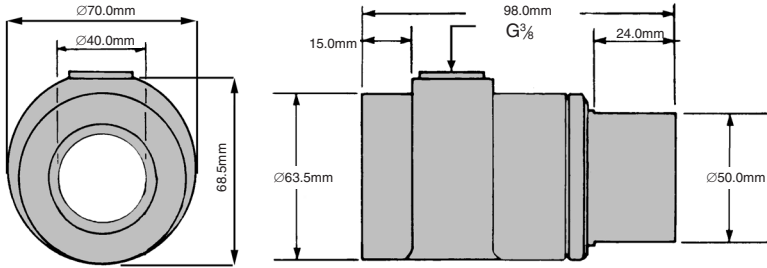
Bar	Vol in m ³ /min	Vol out m ³ /min
1.38	0.105	1.614
2.76	0.164	2.492
4.14	0.224	3.030
5.52	0.286	3.681



PERFORMANCE DATA – DUCTED

METRIC	Back Pressure (mm water gauge) and guide to equivalent pipe length										
	50mm water gauge		100mm water gauge		150mm water gauge		200mm water gauge		250mm water gauge		
Supply Pressure kg/cm ²	VI m ³ /min	Vc m ³ /min	Equiv. Pipe length m	Vo m ³ /min	Equiv. Pipe length m	Vo m ³ /min	Equiv. Pipe length m	Vo m ³ /min	Equiv. Pipe length m	Vo m ³ /min	Equiv. Pipe length m
2	.125	.91	2.0	.59	9	.42	27	.62	18	.74	16
3	.170	1.42	0.8	1.03	3	.85	7	1.05	6	1.22	6
4	.210	1.90	0.4	1.46	2	1.25	3	1.51	3	1.78	3
5	.265	2.55	0.3	1.98	1	1.70	2	2.04	2		
6	.295	3.45	0.2	2.75	0.5	2.18	1				

STAINLESS STEEL ADJUSTABLE AIRMOVER SS40A



Bar	Vol in m³/min	Vol out m³/min
1.38	0.207	3.256
2.76	0.323	5.182
4.14	0.439	6.513
5.52	0.555	8.297

Material: Stainless Steel (Grade 304)

Weight: 0.84Kg

Standard Gap: Adjustable

dB(A) at: 5.5 bar is 80

Shims: Not applicable

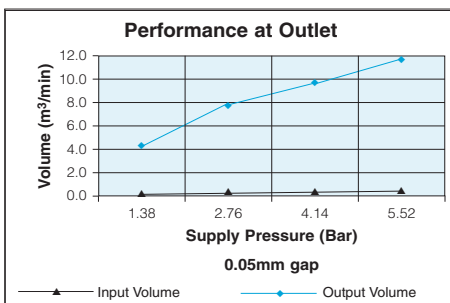
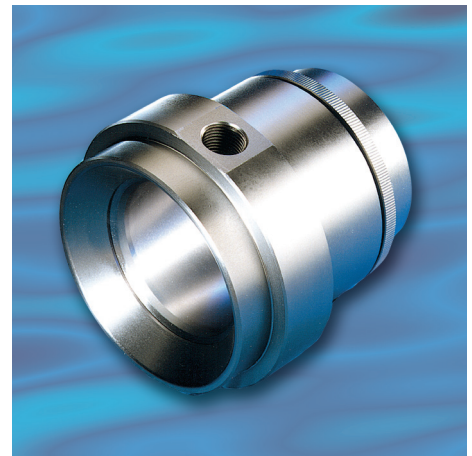
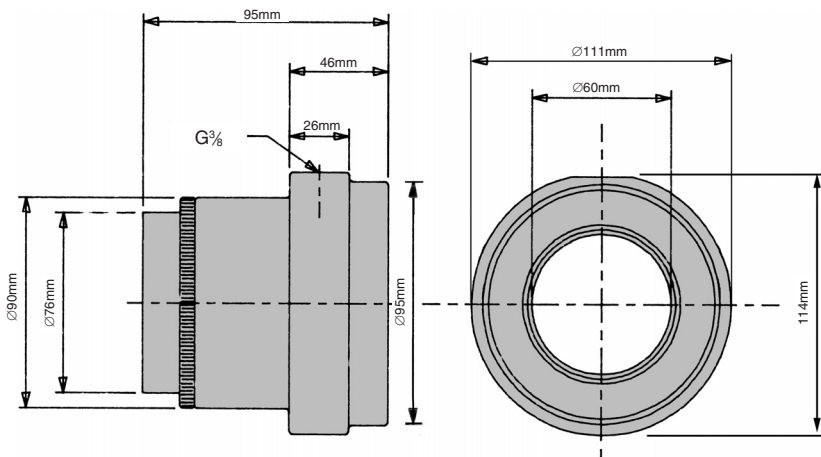
Standard Inlet Thread: G $\frac{3}{8}$

Options: $\frac{3}{8}$ " NPT
Please specify on order $\frac{3}{8}$ " NPTF

PERFORMANCE DATA – DUCTED

METRIC	Back Pressure (mm water gauge) and guide to equivalent pipe length											
	50mm water gauge			100mm water gauge		150mm water gauge		200mm water gauge		250mm water gauge		
	Supply Pressure kg/cm ²	Vi m ³ /min	Vc m ³ /min	Equiv. Pipe length m	Vo m ³ /min	Equiv. Pipe length m	Vo m ³ /min	Equiv. Pipe length m	Vo m ³ /min	Equiv. Pipe length m	Vo m ³ /min	Equiv. Pipe length m
2	.26	1.22	10	1.00	29							
3	.36	1.97	4	1.44	14	1.16	34					
4	.42	2.88	2	2.20	6	1.75	15	1.00	58			
5	.50	4.14	1	3.08	3	2.49	7	1.80	18	1.33	43	
6	.58	5.41	0.6	4.25	2	3.20	5	2.63	9	2.20	15	

STAINLESS STEEL ADJUSTABLE AIRMOVER SS60A



Bar	Vol in m³/min	Vol out m³/min
1.38	0.280	4.191
2.76	0.476	7.561
4.14	0.654	9.231
5.52	0.841	11.327

Material: Stainless Steel (Grade 304)

Weight: 2.9Kg

Standard Gap: Adjustable

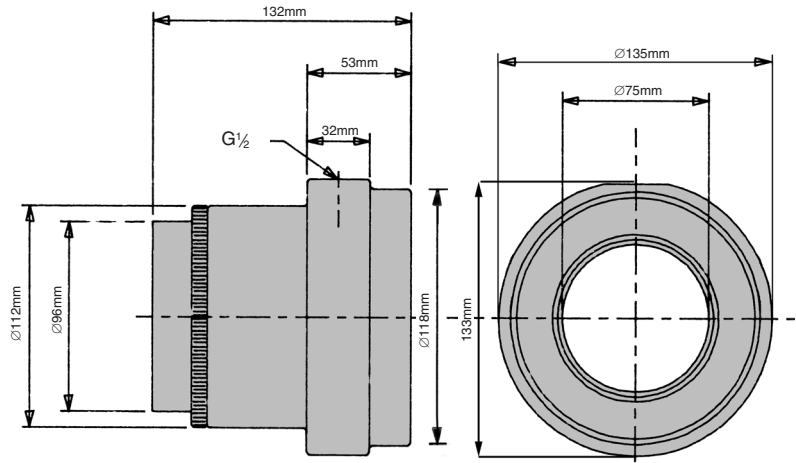
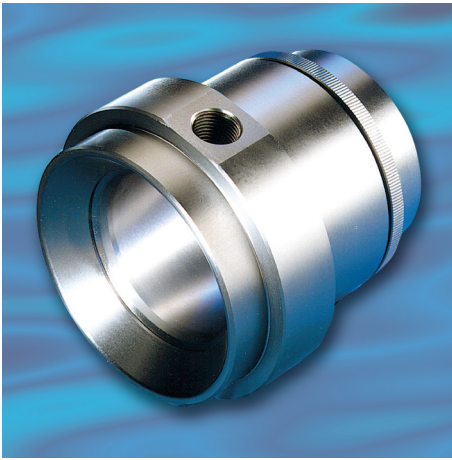
dB(A) at: 5.5 bar is 80

Shims: Not Applicable

Standard Inlet Thread: G $\frac{3}{8}$

Options: $\frac{3}{8}$ " NPT
Please specify on order $\frac{3}{8}$ " NPTF

SS75A STAINLESS STEEL ADJUSTABLE AIRMOVER MODEL



Material: Stainless Steel (Grade 304)

Weight: 4.5Kg

Standard Gap: Adjustable

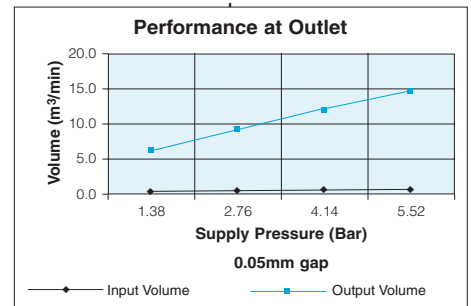
dB(A) at: 5.5 bar is 81

Shims: Not applicable

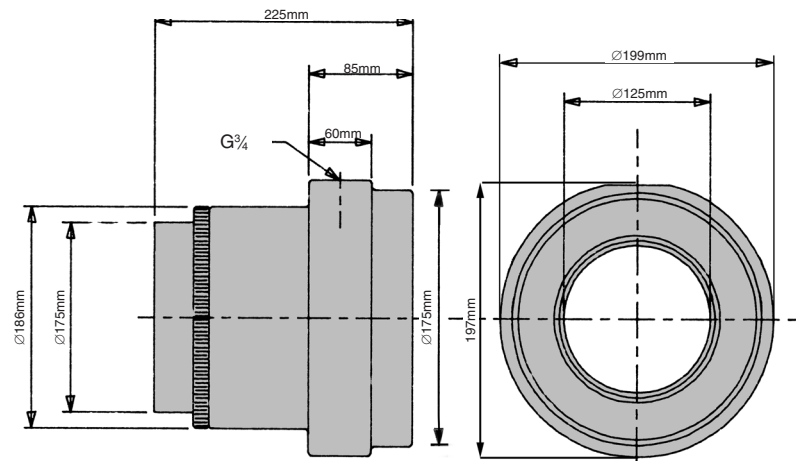
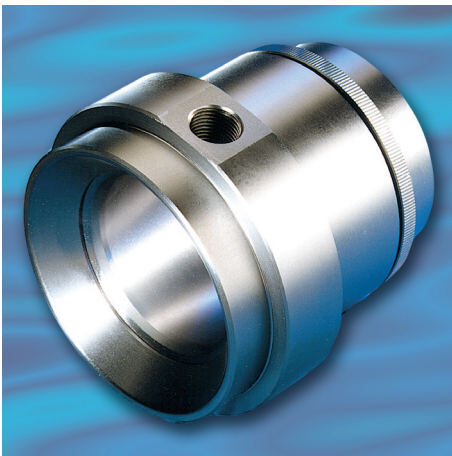
Standard Inlet Thread: $G\frac{1}{2}$

Options: $\frac{1}{2}$ " NPT
Please specify on order $\frac{1}{2}$ " NPTF

Bar	Vol in m ³ /min	Vol out m ³ /min
1.38	0.425	6.230
2.76	0.651	9.203
4.14	0.906	12.035
5.52	1.133	14.866



SS125A STAINLESS STEEL ADJUSTABLE AIRMOVER MODEL



Material: Stainless Steel (Grade 304)

Weight: 16.3Kg

Standard Gap: Adjustable

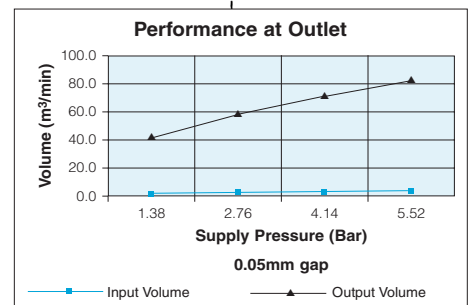
dB(A) at: 5.5 bar is 85

Shims: Not applicable

Standard Inlet Thread: $G\frac{3}{4}$

Options: $\frac{3}{4}$ " NPT
Please specify on order $\frac{3}{4}$ " NPTF

Bar	Vol in m ³ /min	Vol out m ³ /min
1.38	1.982	38.936
2.76	3.115	53.660
4.14	4.276	68.668
5.52	5.324	80.137

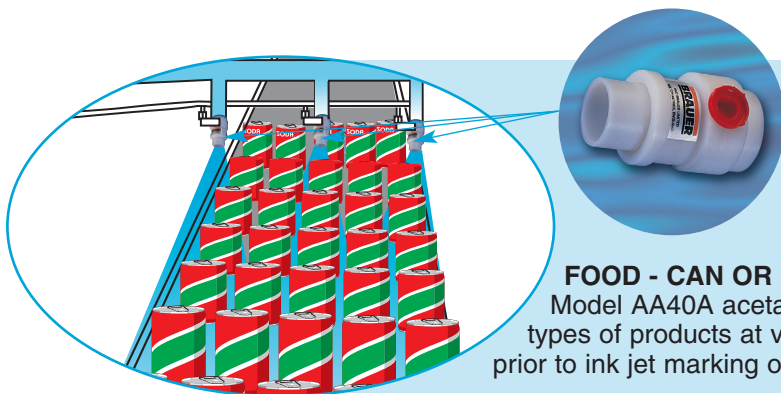


ACETAL ADJUSTABLE AIRMOVERS

As with our stainless steel range of airmovers, Brauer has developed a unique range of Acetal, adjustable Airmovers. Again these products are corrosion resistant and impervious to a wide range of chemical attack. Being extremely lightweight, these Airmovers may, in certain situations, be more suitable than much heavier stainless steel.

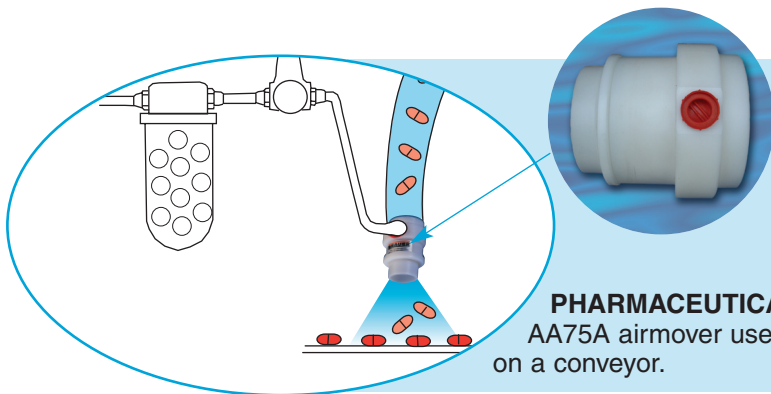
Optional mounting rings and magnetic base are available (see page 22).

SOME TYPICAL APPLICATIONS – ACETAL ADJUSTABLE AIRMOVERS



FOOD - CAN OR BOTTLE DRYING

Model AA40A acetal airmovers drying all types of products at various stages of production, i.e. after sterilising, prior to ink jet marking or labelling.



PHARMACEUTICALS

AA75A airmover used to extract unfilled capsules as they pass on a conveyor.

AA10A ACETAL ADJUSTABLE AIRMOVER



Material: Acetal Copolymer

Weight: 0.05Kg

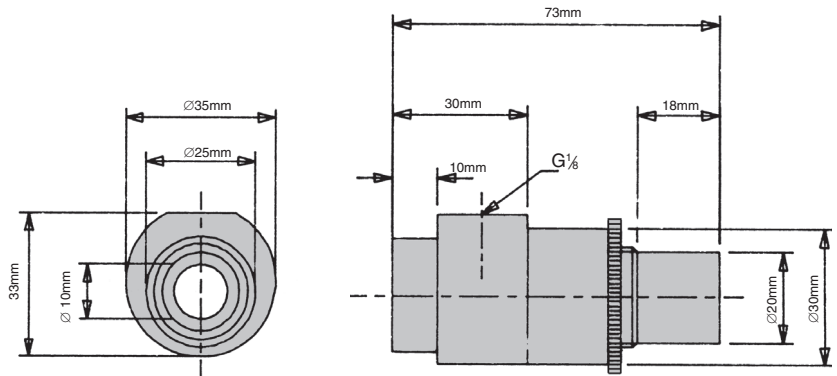
Standard Gap: Adjustable

dB(A) at: 5.5 bar is 72

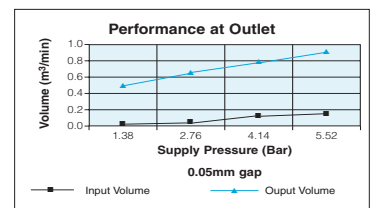
Shims: Not applicable

Standard Inlet Thread: G $\frac{1}{8}$

Options: $\frac{1}{8}$ " NPT
Please specify on order $\frac{1}{8}$ " NPTF



Bar	Vol in m ³ /min	Vol out m ³ /min
1.38	0.048	0.490
2.76	0.065	0.660
4.14	0.125	0.733
5.52	0.164	0.886



PERFORMANCE DATA – DUCTED

METRIC	Back Pressure (mm water gauge) and guide to equivalent pipe length										
	125mm water gauge		250mm water gauge		375mm water gauge		500mm water gauge		625mm water gauge		
	Supply Pressure kg/cm ²	Vi m ³ /min	Vc m ³ /min	Equiv. Pipe length m	Vo m ³ /min	Equiv. Pipe length m	Vo m ³ /min	Equiv. Pipe length m	Vo m ³ /min	Equiv. Pipe length m	
2	.060	.26	7	.13	50	.20	37	.33	15	.13	-
3	.070	.47	2	.31	9	.36	10	.51	6	.37	14
4	.115	.64	1	.51	3	.54	4	.64	4	.58	6
5	.150	.76	1	.65	2	.72	3				
6	.180	.87	0.5	.78	2						

AA20A ACETAL ADJUSTABLE AIRMOVER



Material: Acetal Copolymer

Weight: 0.08Kg

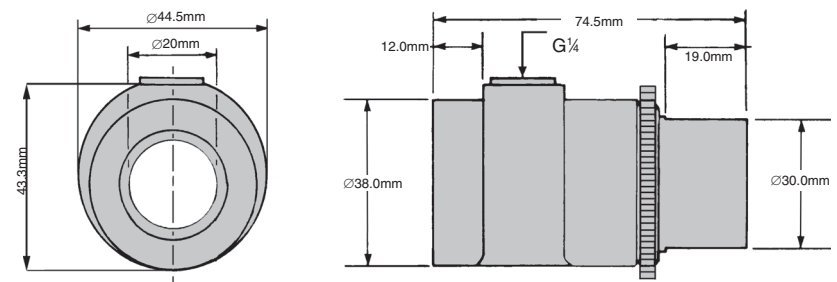
Standard Gap: Adjustable

dB(A) at: 5.5 bar is 78

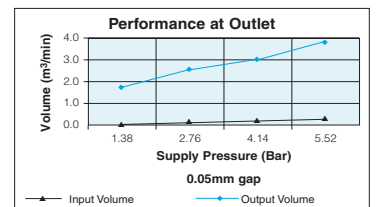
Shims: Not applicable

Standard Inlet Thread: G $\frac{1}{4}$

Options: $\frac{1}{4}$ " NPT
Please specify on order $\frac{1}{4}$ " NPTF



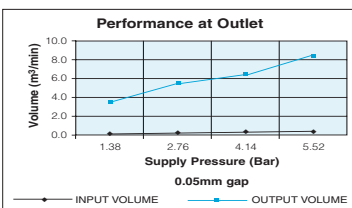
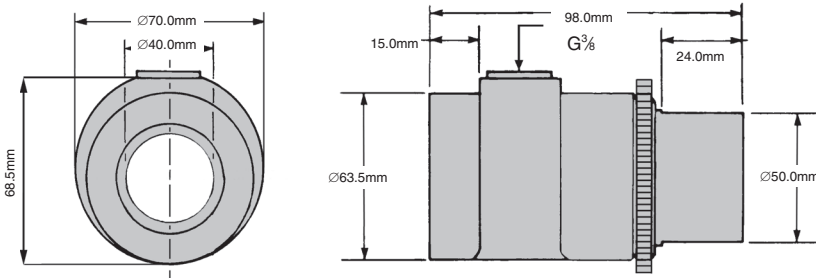
Bar	Vol in m ³ /min	Vol out m ³ /min
1.38	0.105	1.614
2.76	0.164	2.492
4.14	0.224	3.030
5.52	0.286	3.681



PERFORMANCE DATA – DUCTED

METRIC	Back Pressure (mm water gauge) and guide to equivalent pipe length										
	50mm water gauge		100mm water gauge		150mm water gauge		200mm water gauge		250mm water gauge		
	Supply Pressure kg/cm ²	Vi m ³ /min	Vc m ³ /min	Equiv. Pipe length m	Vo m ³ /min	Equiv. Pipe length m	Vo m ³ /min	Equiv. Pipe length m	Vo m ³ /min	Equiv. Pipe length m	
2	.125	.91	2.0	.59	9	.85	7	.62	18	.74	16
3	.170	1.42	0.8	1.03	3	1.25	3	1.05	6	1.22	6
4	.210	1.90	0.4	1.46	2	1.70	2	1.51	3	1.78	3
5	.265	2.55	0.3	1.98	1	2.18	1	2.04	2		
6	.295	3.45	0.2	2.75	0.5						

ACETAL ADJUSTABLE AIRMOVER AA40A



Bar	Vol in m ³ /min	Vol out m ³ /min
1.38	0.207	3.256
2.76	0.323	5.182
4.14	0.439	6.513
5.52	0.555	8.297

Material: Acetal Copolymer

Weight: 0.20Kg

Standard Gap: Adjustable

dB(A) at: 5.5 bar is 80

Shims: Not applicable

Standard Inlet Thread: G^{3/8}

Options:

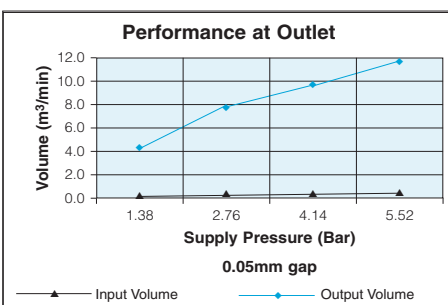
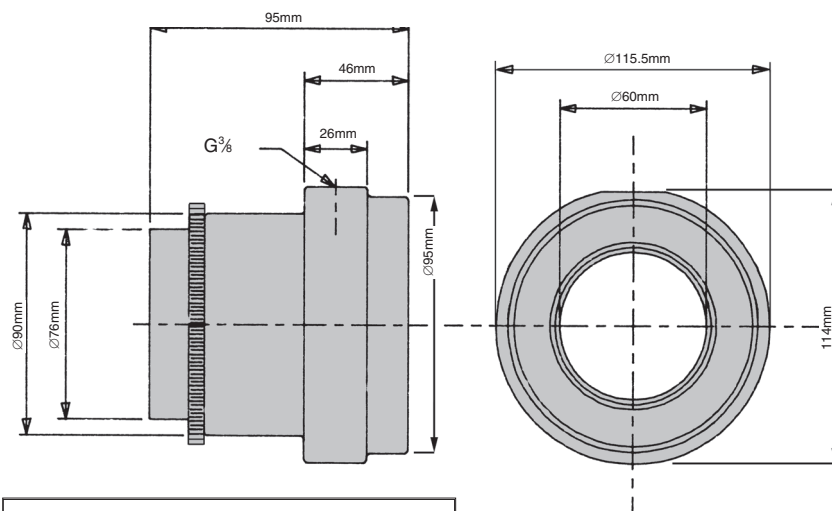
Please specify on order 3/8" NPT

3/8" NPTF

PERFORMANCE DATA – DUCTED

METRIC	Back Pressure (mm water gauge) and guide to equivalent pipe length										
	50mm water gauge		100mm water gauge		150mm water gauge		200mm water gauge		250mm water gauge		
Supply Pressure kg/cm ²	Vi m ³ /min	Vc m ³ /min	Equiv. Pipe length m	Vo m ³ /min	Equiv. Pipe length m	Vo m ³ /min	Equiv. Pipe length m	Vo m ³ /min	Equiv. Pipe length m	Vo m ³ /min	Equiv. Pipe length m
2	.26	1.22	10	1.00	29	1.16	34	1.00	58	1.33	43
3	.36	1.97	4	1.44	14	1.75	15	1.80	16	2.20	15
4	.42	2.88	2	2.20	6	2.49	7	2.63	9		
5	.50	4.14	1	3.08	3						
6	.58	5.41	0.6	4.25	2						

ACETAL ADJUSTABLE AIRMOVER AA60A



Bar	Vol in m ³ /min	Vol out m ³ /min
1.38	0.280	4.191
2.76	0.476	7.561
4.14	0.654	9.231
5.52	0.841	11.327

Material: Acetal Copolymer

Weight: 0.73Kg

Standard Gap: Adjustable

dB(A) at: 5.5 bar is 80

Shims: Not applicable

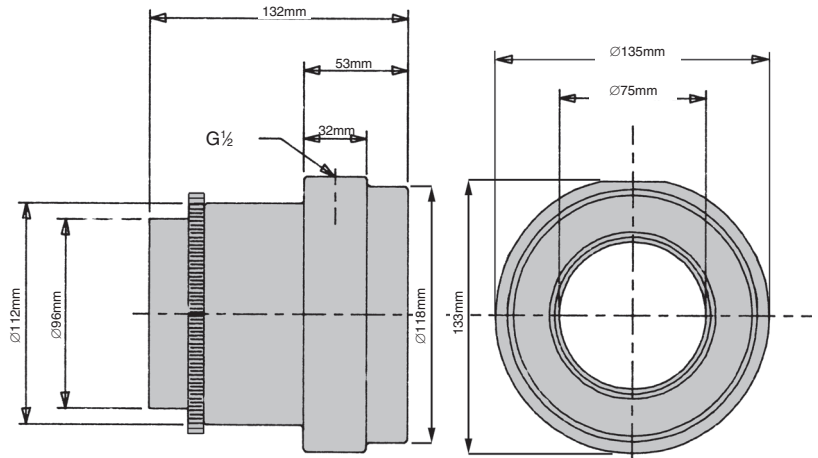
Standard Inlet Thread: G^{3/8}

Options:

Please specify on order 3/8" NPT

3/8" NPTF

AA75A ACETAL ADJUSTABLE AIRMOVER



Material: Acetal Copolymer

Weight: 0.82Kg

Standard Gap: Adjustable

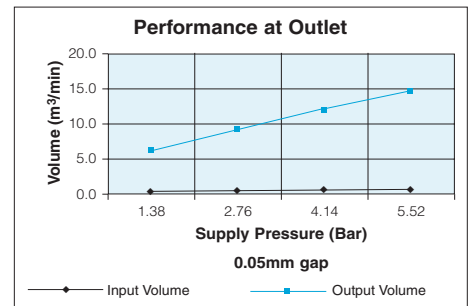
dB(A) at: 5.5 bar is 81

Shims: Not applicable

Standard Inlet Thread: G $\frac{1}{2}$

Options: $\frac{1}{2}$ " NPT
Please specify on order $\frac{1}{2}$ " NPTF

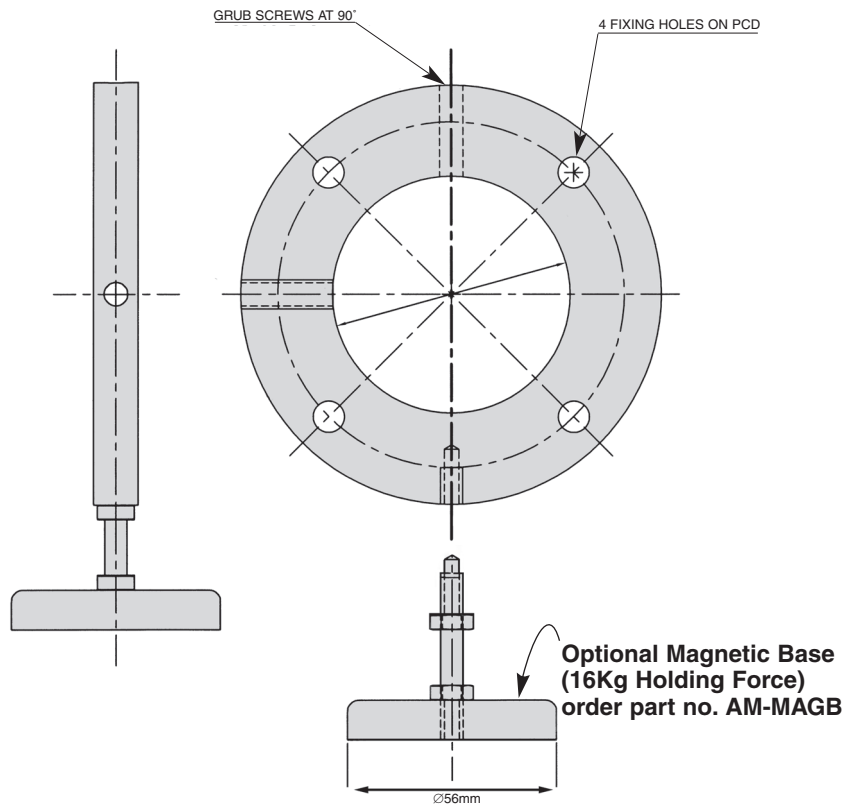
Bar	Vol in m ³ /min	Vol out m ³ /min
1.38	0.425	6.230
2.76	0.651	9.203
4.14	0.906	12.035
5.52	1.133	14.866



MOUNTING RINGS FOR ADJUSTABLE AIRMOVERS AND COLD AIR GUNS

OPTIONAL MOUNTING RINGS

PART NUMBER	HOLE DIA. (mm)	HOLE PCD (mm)
MR 10 SS	6.5	54
MR 20 SS	6.5	65
MR 35 SS	8.5	90
MR 40 SS	8.5	94
MR 60 SS	8.5	135
MR 75 SS	8.5	155
MR 125 SS	10.5	225
MR CG4 SS	6.5	65



VAC PUMPS

The Ring-Vac™ Compressed Air Conveying System utilises compressed air for a powerful, efficient venturi action along its length in a compact design for high capacity conveying over large distances. Available in both anodised aluminum or stainless steel. Simply clamp a standard hose size to each end of the Ring-Vac™ Compressed Air Conveying System to create this high energy conveying system. No moving parts for maintenance free operation with capacity and flow controlled with a pressure regulator.

The Ring-Vac™ Compressed Air Conveying System is available in nominal sizes of 25mm, 32mm, 38mm and 51mm. Any size beyond that can be prohibitive for most applications due to high compressed air requirements. In addition, beyond 51mm, the vacuum ability begins to drop significantly except for highly intermittent applications. Larger size versions are available if required as well as special sizes.

Features

- The Ring-Vac™ Air Conveying System is made of an anodized aluminum body with no moving parts. Stainless steel models are available for high temperature and corrosive applications.
- Standard sizes to fit standard hose diameter for easy clamping.
- Utilising a pressure regulator will control the flow material.
- Instant ON/OFF with no moving parts, no electricity or explosion hazard.

Benefits

- Longer life in difficult environments than competitive models.
- Ease of use.
- Simple and easy control of material flow.
- Maintenance free operation.

SOME TYPICAL APPLICATIONS - VAC PUMPS

Automotive: Convey all sorts of items from ball bearings, screws, metal and plastic parts from machinery, moulding machines in manufacturing and in assembly operations.

Bottling: Loading and conveying caps in bottle filling lines.

Food: Convey caps, small items including food items from cheese bits to dried food. Fill or empty packaging material in shipping.

General Manufacturing: Convey all sorts of items from ball bearings, screws, metal and plastic parts. Replace costly blower systems, especially in intermittent applications.

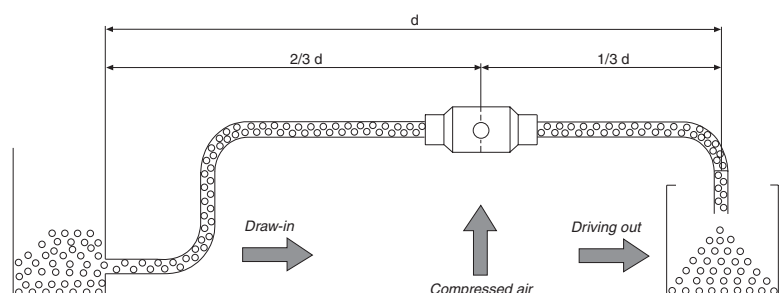
Paper: Trim removal in paper production.

Plastic: Trim removal in converting applications.

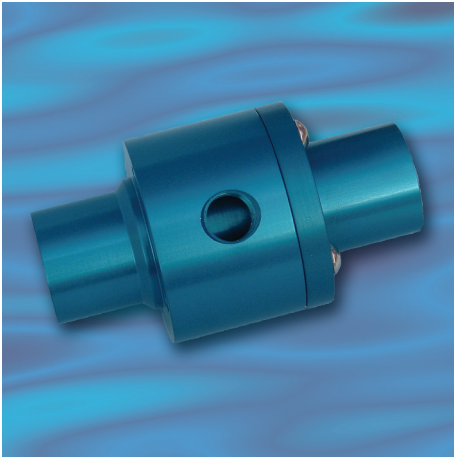
Printing: Waste trim removal in printing applications.

Pharmaceutical: Convey pills, capsules, and tablets.

Textile: Thread conveying.

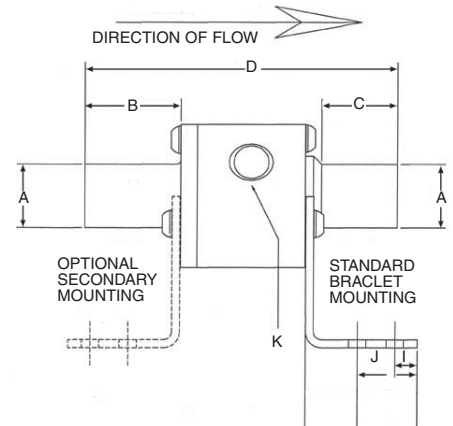
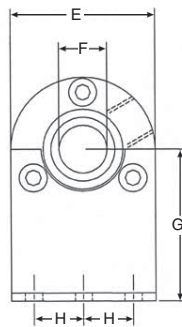
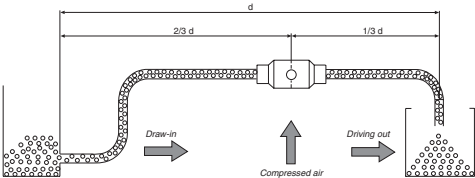


ALUMINIUM RING VAC



Material: Anodised aluminium

Option: available in NPT or NPTF please specify on order



MODEL	Weight	Vacuum KPa	Air Consumption m ³ /min
RV1AL	0.28Kg	-11	0.43
RV2AL	0.31Kg	-8	0.74
RV3AL	0.39Kg	-7	0.94
RV4AL	0.48Kg	-6.5	1.28
RV5AL	0.68Kg	-6	1.66
RV6AL	0.79Kg	-4	1.99

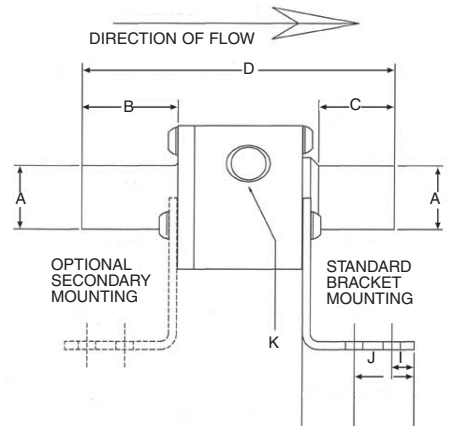
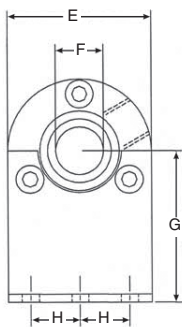
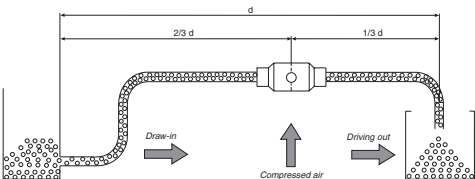
Part No.	A	B	C	D	E	F	G	H	I	J	K
RV1AL	25.4	35.1	31.8	127	57.2	19.1	60.3	19.7	9.5	23.8	G ¹ / ₄
RV2AL	31.8	35.1	31.8	127	63.5	25.4	60.3	19.7	9.5	23.8	G ¹ / ₄
RV3AL	38.1	35.1	38.1	127	69.9	38.1	60.3	19.7	9.5	23.8	G ³ / ₈
RV4AL	50.8	35.1	38.1	127	82.5	44.4	60.3	19.7	9.5	23.8	G ³ / ₈
RV5AL	64	38.1	38.1	127	95	57.2	65	19.7	9.5	23.8	G ³ / ₈
RV6AL	76	38.1	38.1	140	108	69.9	70	19.7	9.5	23.8	G ¹ / ₂

STAINLESS STEEL RING VAC



Material: Stainless Steel (Grade 304)

Option: available in NPT or NPTF please specify on order



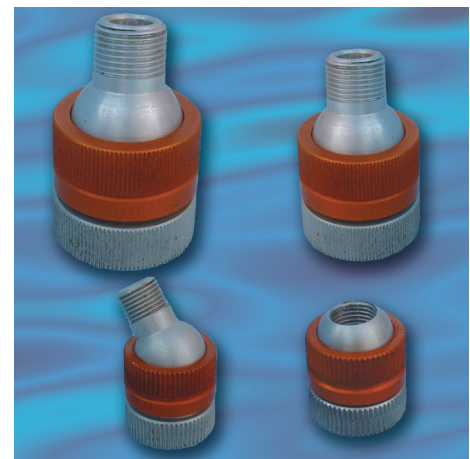
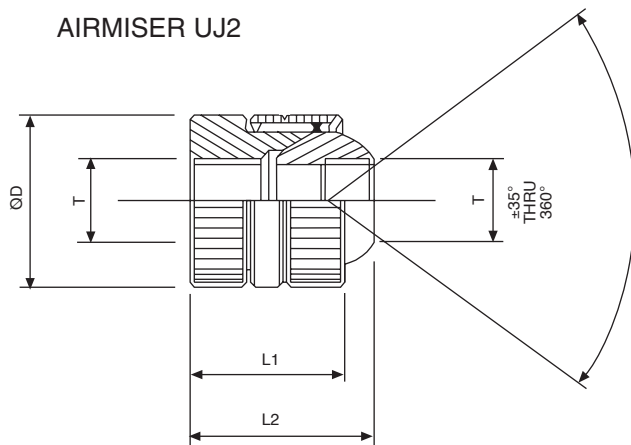
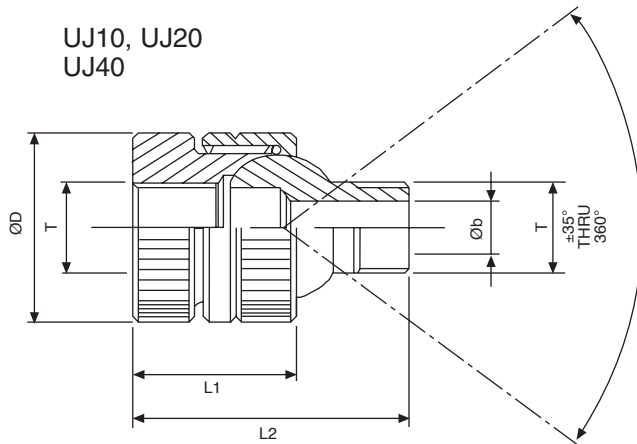
MODEL	Weight	Vacuum KPa	Air Consumption m ³ /min
RV1SS	0.92Kg	-11	0.43
RV2SS	1.0Kg	-8	0.74
RV3SS	1.1Kg	-7	0.94
RV4SS	1.6Kg	-6.5	1.28

Part No.	A	B	C	D	E	F	G	H	I	J	K
RV1SS	25.4	35.1	31.8	127	57.2	19.1	60.3	19.7	9.5	23.8	G ¹ / ₄
RV2SS	31.8	35.1	31.8	127	63.5	25.4	60.3	19.7	9.5	23.8	G ¹ / ₄
RV3SS	38.1	35.1	38.1	127	69.9	38.1	60.3	19.7	9.5	23.8	G ³ / ₈
RV4SS	50.8	35.1	38.1	127	82.5	44.4	60.3	19.7	9.5	23.8	G ³ / ₈

NEW

AIRMOVER UNIVERSAL CONNECTOR JOINTS

Brauer are pleased to advise details of a new range of Airmover and Airmiser Universal Joints. These new universal joints enable your customer to mount the Airmover at the exact angle required for optimum effect.



ITEM	Øb	T	ØD	L1	L2
UJ10	5	G $\frac{1}{8}$	20	19	34
UJ20	8	G $\frac{1}{4}$	28	25	45
UJ40	10	G $\frac{3}{8}$	35	32	55
UJ2	5	G $\frac{1}{4}$	20	19	23

Standard threads are G, for NPT threads add suffix 'N'

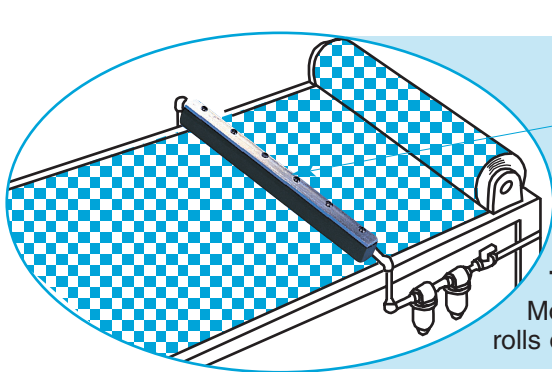
STRIP (AIR CURTAIN) AIRMOVERS

The Brauer strip airmover produces a curtain of air along the length of the application. The strip airmover uses the same Coanda effect utilised in our other air amplifiers. Again there are no moving parts, with compressed air from a local production line source being used to amplify and entrain surrounding air. Output volumes almost twenty times higher than those at the input can be achieved.

Many tooling engineers use drilled or slotted lengths of piping in an attempt to flute air over the required area. But these techniques are highly inefficient in their use of expensive compressed air. Using the built in effectiveness of the strip airmover, significant compressed air savings can be achieved with short investment paybacks. Noise levels will also be reduced.

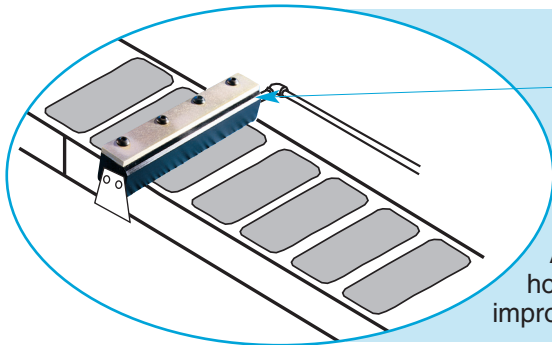
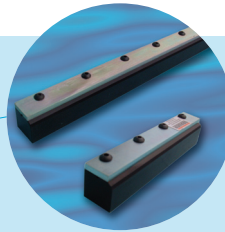
Our strip airmovers are also offered in stainless steel and can be manufactured in **any** length additionally a combination of our standard sizes will provide suitable usable lengths.

SOME TYPICAL APPLICATIONS – STRIP AIRMOVERS



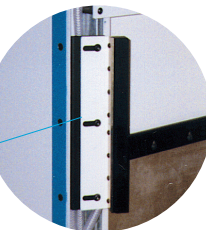
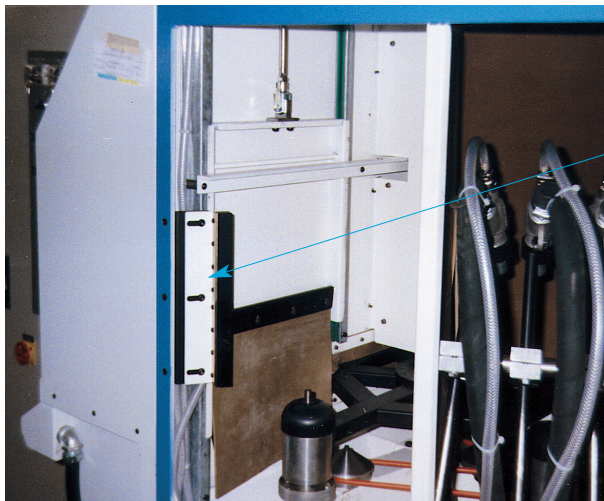
TEXTILES

Model SE600 strip airmovers are ideal for cleaning and drying large rolls of cloth.



LABEL PRINTING

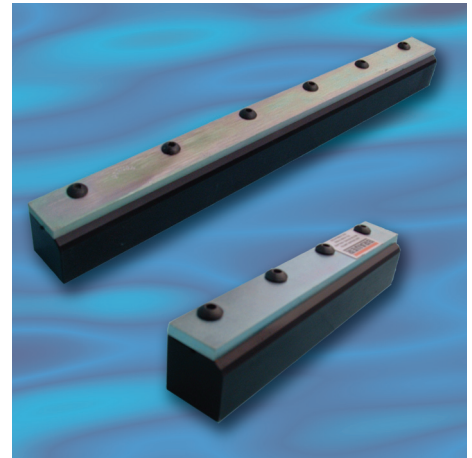
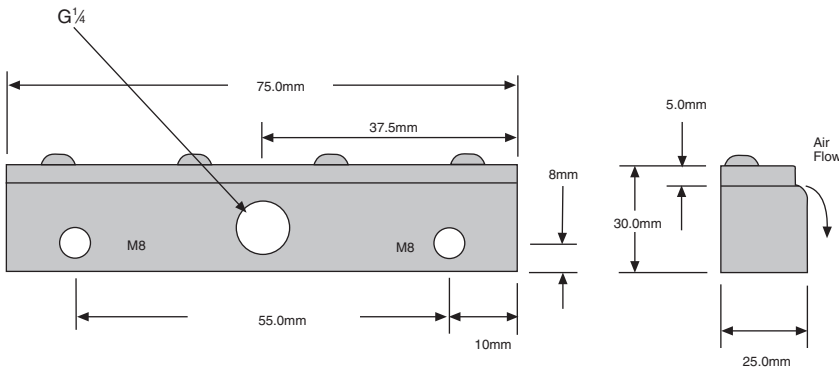
A model SE150 Strip Airmover cools the label adhesive and holds down the end of the labels until they reach the rollers, thus improving quality and reducing damage.



PROTECTION OF ELECTRICS

SE300 strip airmover used on shot blast equipment to prevent dust getting near electrics

ALUMINIUM STRIP AIRMOVER SE75



Material: Aluminium/Zinc plated steel

Weight: 0.16Kg

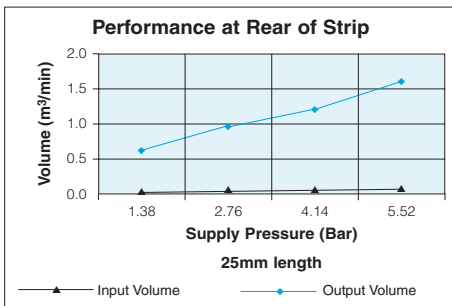
Standard Gap: 0.05-0.10mm

dB(A) at: 5.5 bar is 80

Shims: Not Applicable

Standard Inlet Threads: G $\frac{1}{4}$

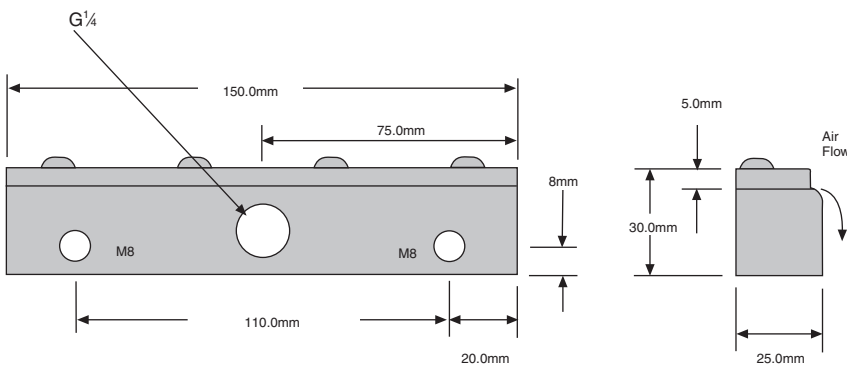
Options: $\frac{1}{4}$ " NPT
Please specify on order $\frac{1}{4}$ " NPTF



Bar	Vol in m³/min	Vol out m³/min
1.38	0.034	0.651
2.76	0.054	0.963
4.14	0.074	1.218
5.52	0.093	1.642

per 25mm length

ALUMINIUM STRIP AIRMOVER SE150



Material: Aluminium/Zinc plated steel

Weight: 0.324Kg

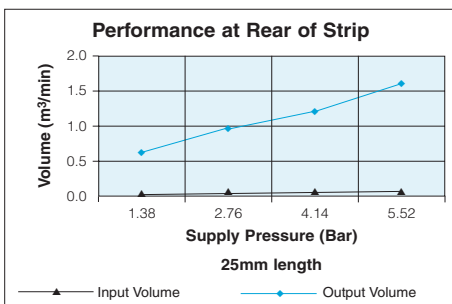
Standard Gap: 0.05-0.10mm

dB(A) at: 5.5 bar is 80

Shims: Not Applicable

Standard Inlet Threads: G $\frac{1}{4}$

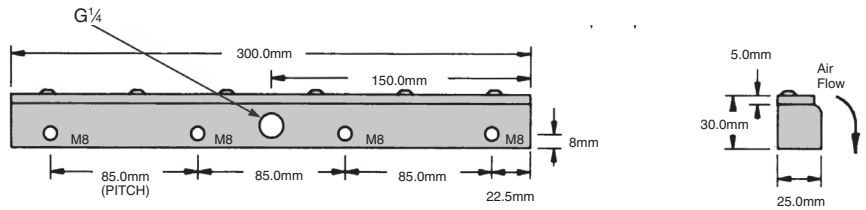
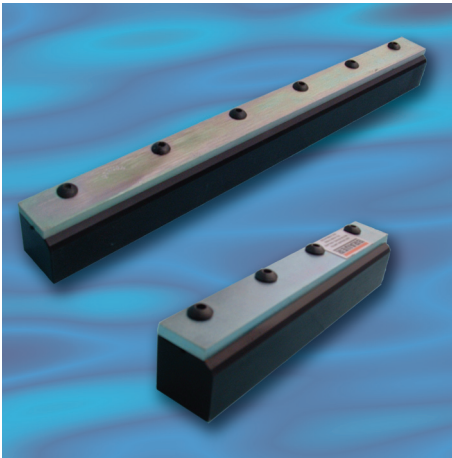
Options: $\frac{1}{4}$ " NPT
Please specify on order $\frac{1}{4}$ " NPTF



Bar	Vol in m³/min	Vol out m³/min
1.38	0.034	0.651
2.76	0.054	0.963
4.14	0.074	1.218
5.52	0.093	1.642

per 25mm length

SE300 ALUMINIUM STRIP AIRMOVER



Material: Aluminium/Zinc plated steel

Weight: 0.7Kg

Standard Gap: 0.05-0.10mm

dB(A) at: 5.5 bar is 80

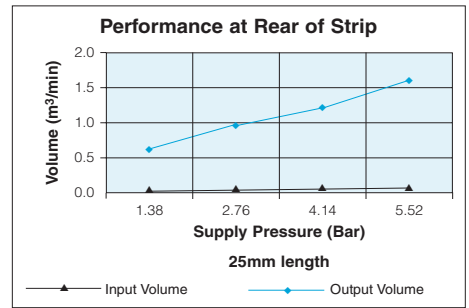
Shims: Not Applicable

Standard Inlet Threads: G $\frac{1}{4}$

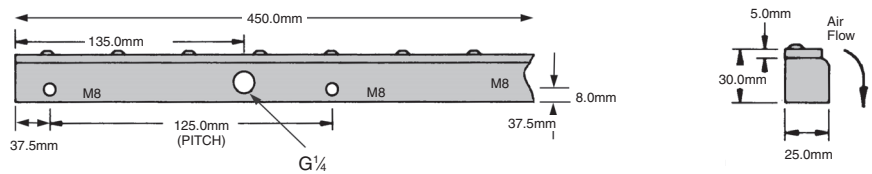
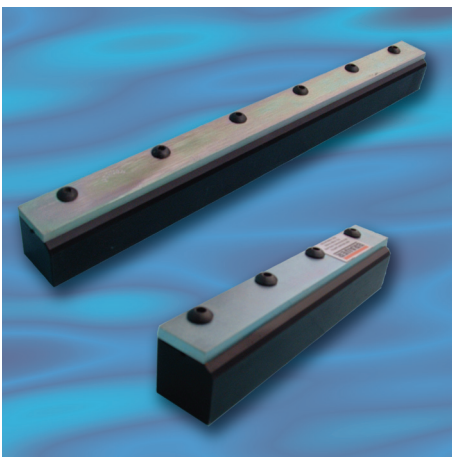
Options: $\frac{1}{4}$ " NPT
Please specify on order $\frac{1}{4}$ " NPTF

Bar	Vol in m ³ /min	Vol out m ³ /min
1.38	0.034	0.651
2.76	0.054	0.963
4.14	0.074	1.218
5.52	0.093	1.642

per 25mm length



SE450 ALUMINIUM STRIP AIRMOVER



Material: Aluminium/Zinc plated steel.

Weight: 1.0Kg

Standard Gap: 0.05-0.10mm

dB(A) at: 5.5 bar is 80

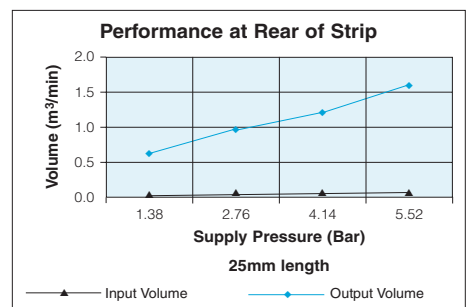
Shims: Not Applicable

Standard Inlet Threads: G $\frac{1}{4}$

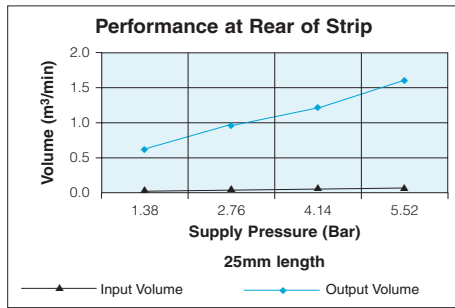
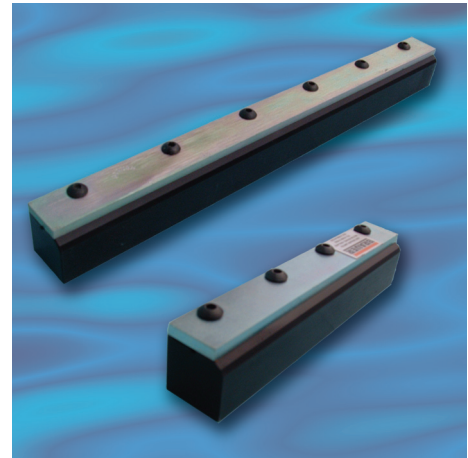
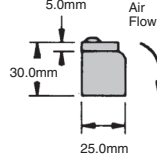
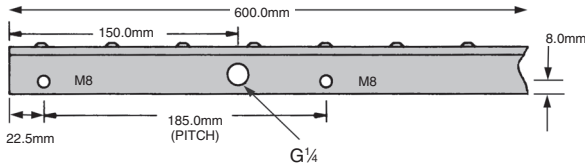
Options: $\frac{1}{4}$ " NPT
Please specify on order $\frac{1}{4}$ " NPTF

Bar	Vol in m ³ /min	Vol out m ³ /min
1.38	0.034	0.651
2.76	0.054	0.963
4.14	0.074	1.218
5.52	0.093	1.642

per 25mm length



ALUMINIUM STRIP AIRMOVER SE600



Bar	Vol in m ³ /min	Vol out m ³ /min
1.38	0.034	0.651
2.76	0.054	0.963
4.14	0.074	1.218
5.52	0.093	1.642

per 25mm length

Material: Aluminium/Zinc plated steel.

Weight: 1.35Kg

Standard Gap: 0.05-0.10mm

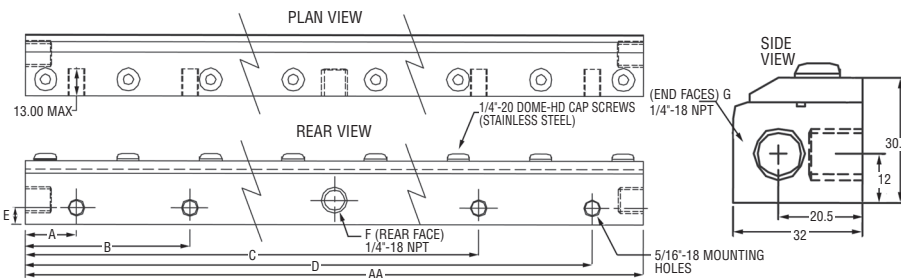
dB(A) at: 5.5 bar is 80

Shims: Not Applicable

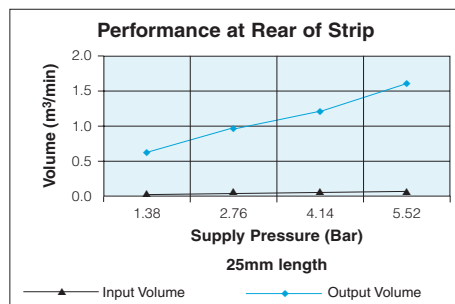
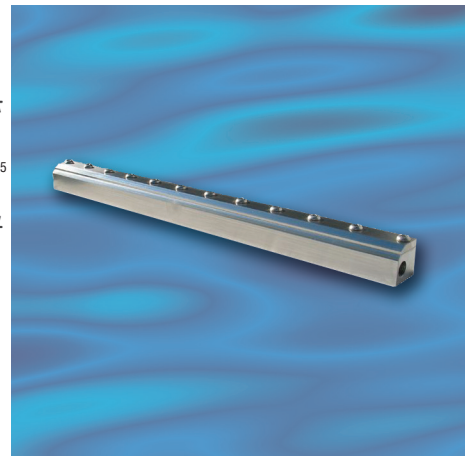
Standard Inlet Threads: G $\frac{1}{4}$

Options: $\frac{1}{4}$ " NPT
Please specify on order $\frac{1}{4}$ " NPTF

ALUMINIUM STRIP AIRMOVER SE750



PART NO. (Stainless Steel)	AA	A	B	C	D	E	F # of Rear Inlets	G # of Side Inlets
Model SE750	30" 761mm	1.4" 35mm	8.9" 227mm	19.1" 485mm	28.6" 727mm	0.3" 8mm	2	2



Bar	Vol in m ³ /min	Vol out m ³ /min
1.38	0.034	0.651
2.76	0.054	0.963
4.14	0.074	1.218
5.52	0.093	1.642

per 25mm length

Material: Aluminium/Zinc plated steel.

Weight: 3.6Kg

Standard Gap: 0.05-0.10mm

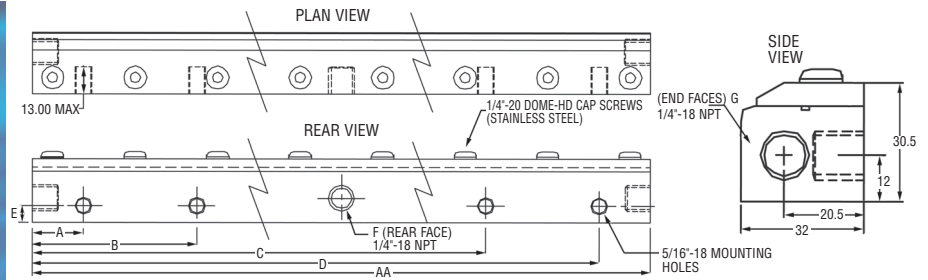
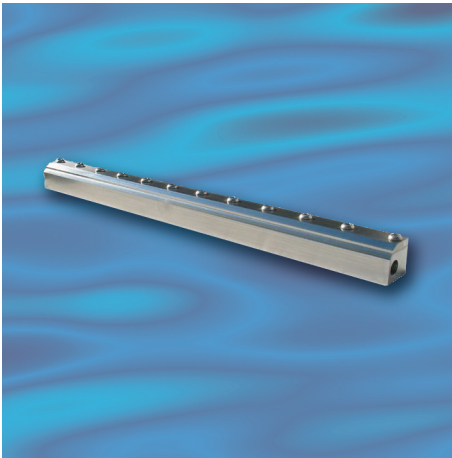
dB(A) at: 5.5 bar is 80

Shims: Not Applicable

Standard Inlet Threads: G $\frac{1}{4}$

Options: $\frac{1}{4}$ " NPT
Please specify on order $\frac{1}{4}$ " NPTF

SE900 ALUMINIUM STRIP AIRMOVER



PART NO. (Stainless Steel)	AA	A	B	C	D	E	F # of Rear Inlets	G # of Side Inlets
Model SE900	36" 914mm	1.4" 35mm	10.9" 277mm	26.9" 683.5mm	34.6" 879mm	0.3" 8mm	2	2

Material: Aluminium/Zinc.

Weight: 4.3Kg

Standard Gap: 0.05-0.10mm

dB(A) at: 5.5 bar is 80

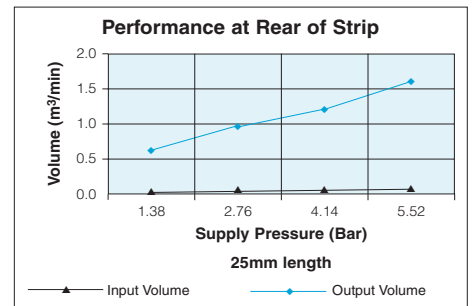
Shims: Not Applicable

Standard Inlet Threads: G $\frac{1}{4}$

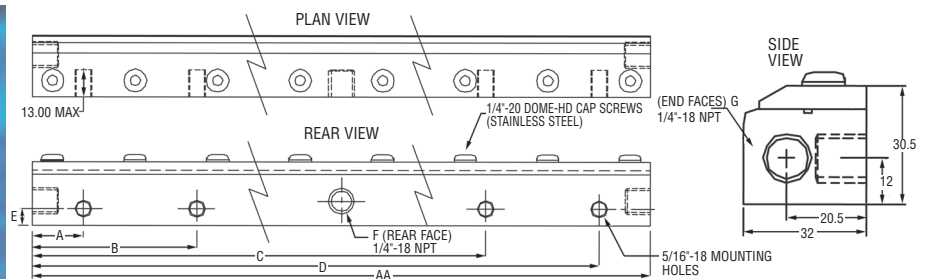
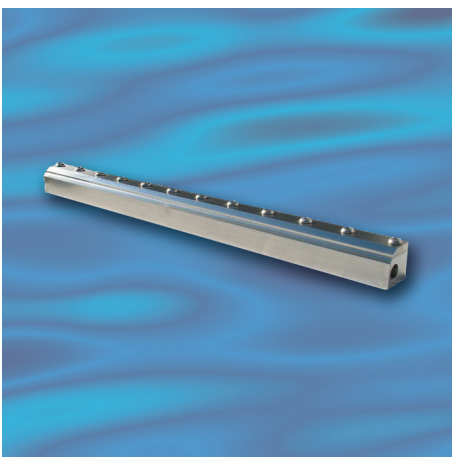
Options: $\frac{1}{4}$ " NPT
Please specify on order $\frac{1}{4}$ " NPTF

Bar	Vol in m ³ /min	Vol out m ³ /min
1.38	0.034	0.651
2.76	0.054	0.963
4.14	0.074	1.218
5.52	0.093	1.642

per 25mm length



SE75SS STAINLESS STEEL STRIP AIRMOVER



PART NO. (Stainless Steel)	AA	A	B	C	D	E	F # of Rear Inlets	G # of Side Inlets
Model SE75SS	3" 76mm	0.6" 16mm	-	-	2.4" 60mm	0.3" 8mm	1	2

Material: Stainless Steel (Grade 304)

Weight: 0.37

Standard Gap: 0.05-0.10mm

dB(A) at: 5.5 bar is 80

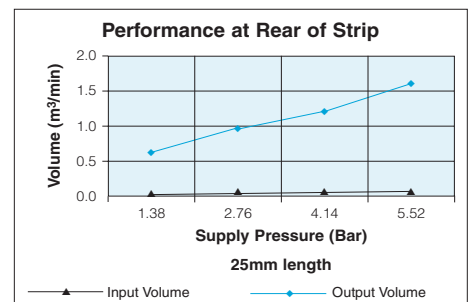
Shims: Not Applicable

Standard Inlet Threads: G $\frac{1}{4}$

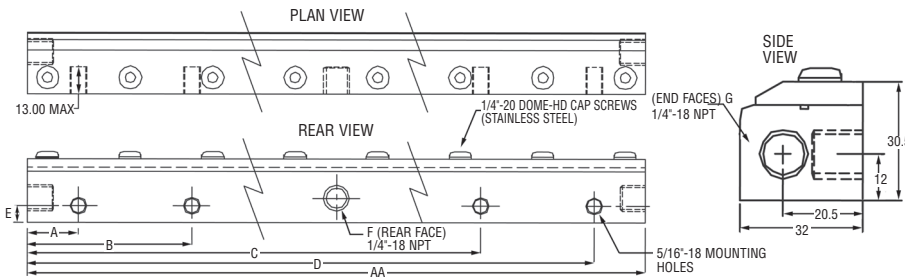
Options: $\frac{1}{4}$ " NPT
Please specify on order $\frac{1}{4}$ " NPTF

Bar	Vol in m ³ /min	Vol out m ³ /min
1.38	0.034	0.651
2.76	0.054	0.963
4.14	0.074	1.218
5.52	0.093	1.642

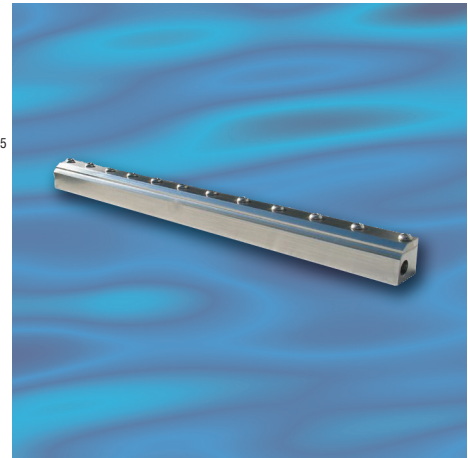
per 25mm length



STAINLESS STEEL STRIP AIRMOVER SE150SS



PART NO. (Stainless Steel)	AA	A	B	C	D	E	F # of Rear Inlets	G # of Side Inlets
Model SE150SS	6" 150mm	1.2" 30mm	-	-	4.7" 120mm	0.3" 8mm	1	2



Material: Stainless Steel (Grade 304)

Weight: 0.75Kg

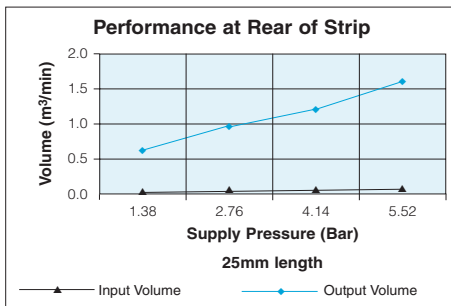
Standard Gap: 0.05-0.10mm

dB(A) at: 5.5 bar is 80

Shims: Not Applicable

Standard Inlet Threads: G $\frac{1}{4}$

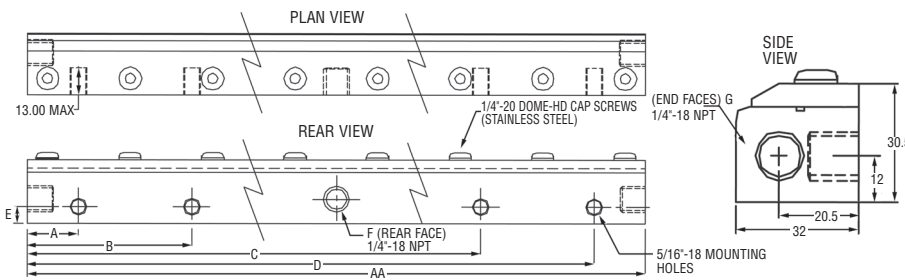
Options: $\frac{1}{4}$ " NPT
Please specify on order $\frac{1}{4}$ " NPTF



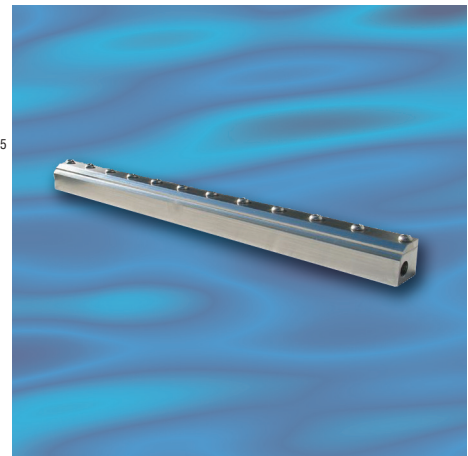
Bar	Vol in m ³ /min	Vol out m ³ /min
1.38	0.034	0.651
2.76	0.054	0.963
4.14	0.074	1.218
5.52	0.093	1.642

per 25mm length

STAINLESS STEEL STRIP AIRMOVER SE300SS



PART NO. (Stainless Steel)	AA	A	B	C	D	E	F # of Rear Inlets	G # of Side Inlets
Model SE300SS	12" 300mm	1.0" 25mm	3.1" 8.0mm	8.7" 220mm	10.8" 275mm	0.3" 8mm	1	2



Material: Stainless Steel (Grade 304)

Weight: 1.52Kg

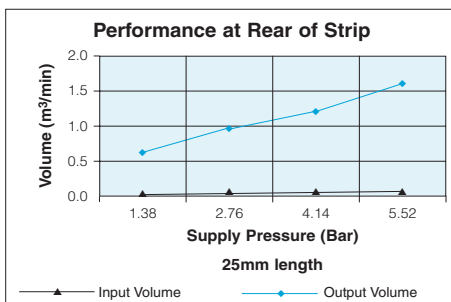
Standard Gap: 0.05-0.10mm

dB(A) at: 5.5 bar is 80

Shims: Not Applicable

Standard Inlet Threads: G $\frac{1}{4}$

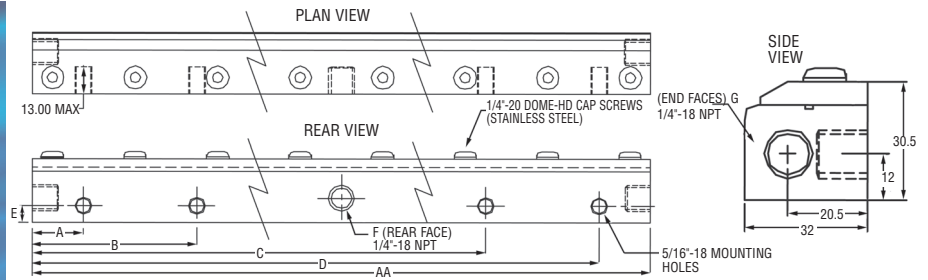
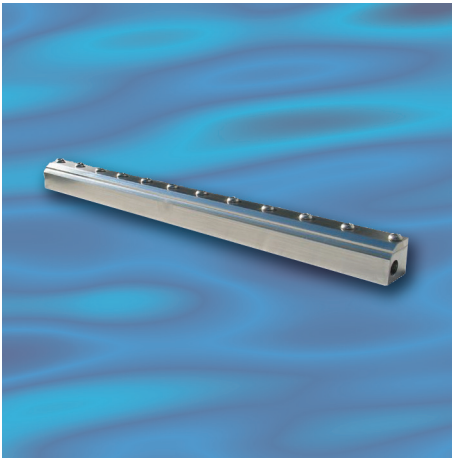
Options: $\frac{1}{4}$ " NPT
Please specify on order $\frac{1}{4}$ " NPTF



Bar	Vol in m ³ /min	Vol out m ³ /min
1.38	0.034	0.651
2.76	0.054	0.963
4.14	0.074	1.218
5.52	0.093	1.642

per 25mm length

SE450SS STAINLESS STEEL STRIP AIRMOVER



PART NO. (Stainless Steel)	AA	A	B	C	D	E	F # of Rear Inlets	G # of Side Inlets
Model SE450SS	18" 457mm	1.3" 33.5mm	5.8" 148.5mm	12.1" 308.5mm	16.7" 423.5mm	0.3" 8mm	2	2

Material: Stainless Steel (Grade 304)

Weight: 2.3Kg

Standard Gap: 0.05-0.10mm

dB(A) at: 5.5 bar is 80

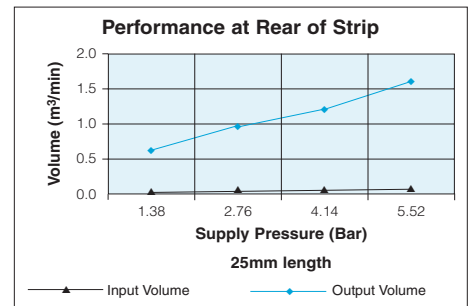
Shims: Not Applicable

Standard Inlet Threads: G $\frac{1}{4}$

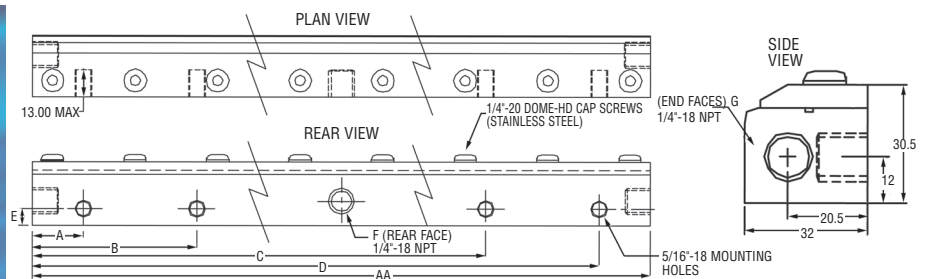
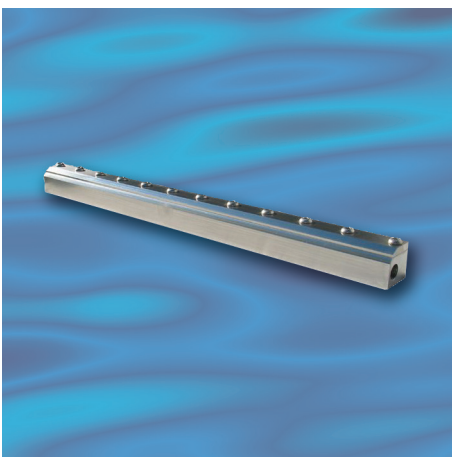
Options: $\frac{1}{4}$ " NPT
Please specify on order $\frac{1}{4}$ " NPTF

Bar	Vol in m ³ /min	Vol out m ³ /min
1.38	0.034	0.651
2.76	0.054	0.963
4.14	0.074	1.218
5.52	0.093	1.642

per 25mm length



SE600SS STAINLESS STEEL STRIP AIRMOVER



PART NO. (Stainless Steel)	AA	A	B	C	D	E	F # of Rear Inlets	G # of Side Inlets
Model SE600SS	24" 609.5mm	1.3" 33.5mm	8.9" 225mm	15.2" 385mm	16.7" 423.5mm	0.3" 8mm	2	2

Material: Stainless Steel (Grade 304)

Weight: 3.0Kg

Standard Gap: 0.05-0.10mm

dB(A) at: 5.5 bar is 80

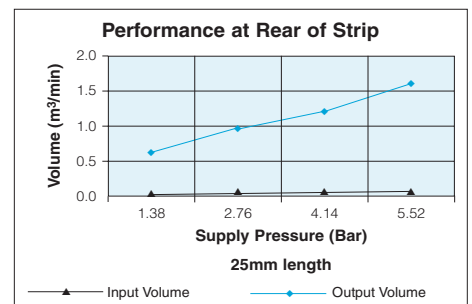
Shims: Not Applicable

Standard Inlet Threads: G $\frac{1}{4}$

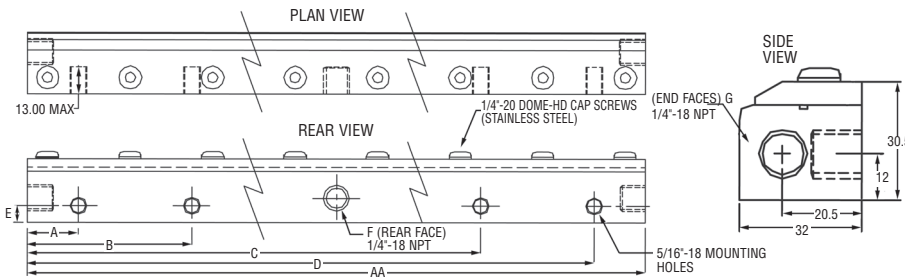
Options: $\frac{1}{4}$ " NPT
Please specify on order $\frac{1}{4}$ " NPTF

Bar	Vol in m ³ /min	Vol out m ³ /min
1.38	0.034	0.651
2.76	0.054	0.963
4.14	0.074	1.218
5.52	0.093	1.642

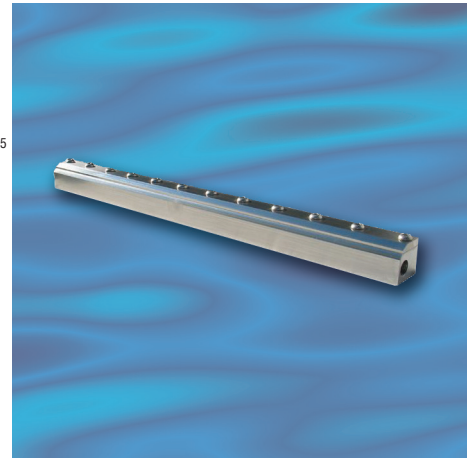
per 25mm length



STAINLESS STEEL STRIP AIRMOVER SE750SS



PART NO. (Stainless Steel)	AA	A	B	C	D	E	F # of Rear Inlets	G # of Side Inlets
Model SE750SS	30" 761mm	1.4" 35mm	8.9" 227mm	19.1" 485mm	28.6" 727mm	0.3" 8mm	2	2



Material: Stainless Steel (Grade 304)

Weight: 9.0Kg

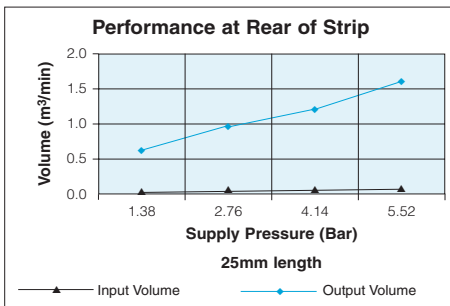
Standard Gap: 0.05-0.10mm

dB(A) at: 5.5 bar is 80

Shims: Not Applicable

Standard Inlet Threads: G $\frac{1}{4}$

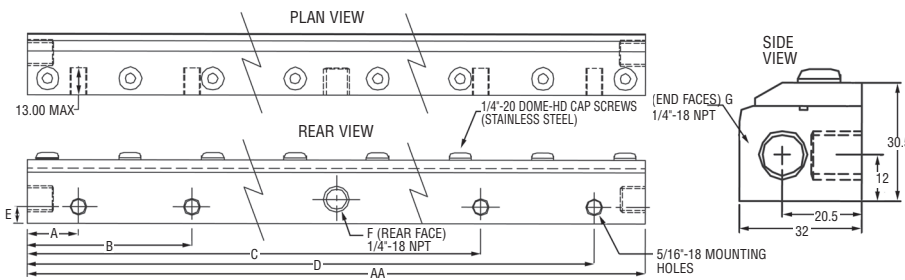
Options: $\frac{1}{4}$ " NPT
Please specify on order $\frac{1}{4}$ " NPTF



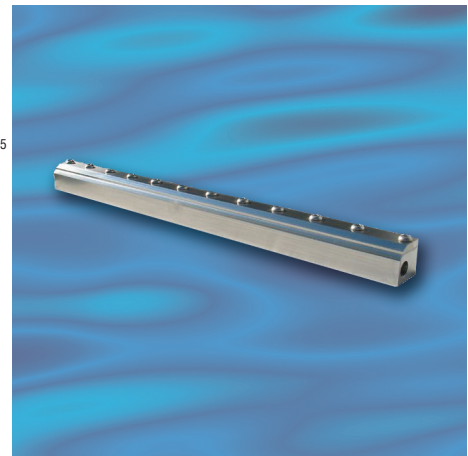
Bar	Vol in m ³ /min	Vol out m ³ /min
1.38	0.034	0.651
2.76	0.054	0.963
4.14	0.074	1.218
5.52	0.093	1.642

per 25mm length

STAINLESS STEEL STRIP AIRMOVER SE900SS



PART NO. (Stainless Steel)	AA	A	B	C	D	E	F # of Rear Inlets	G # of Side Inlets
Model SE900SS	36" 914mm	1.4" 35mm	10.9" 277mm	26.9" 683.5mm	34.6" 879mm	0.3" 8mm	2	2



Material: Stainless Steel (Grade 304)

Weight: 10.7Kg

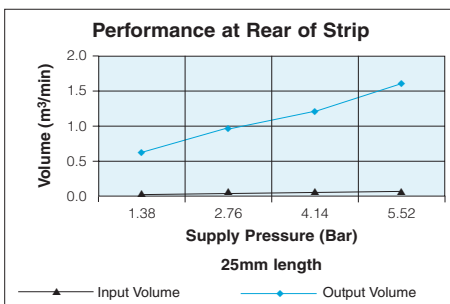
Standard Gap: 0.05-0.10mm

dB(A) at: 5.5 bar is 80

Shims: Not Applicable

Standard Inlet Threads: G $\frac{1}{4}$

Options: $\frac{1}{4}$ " NPT
Please specify on order $\frac{1}{4}$ " NPTF

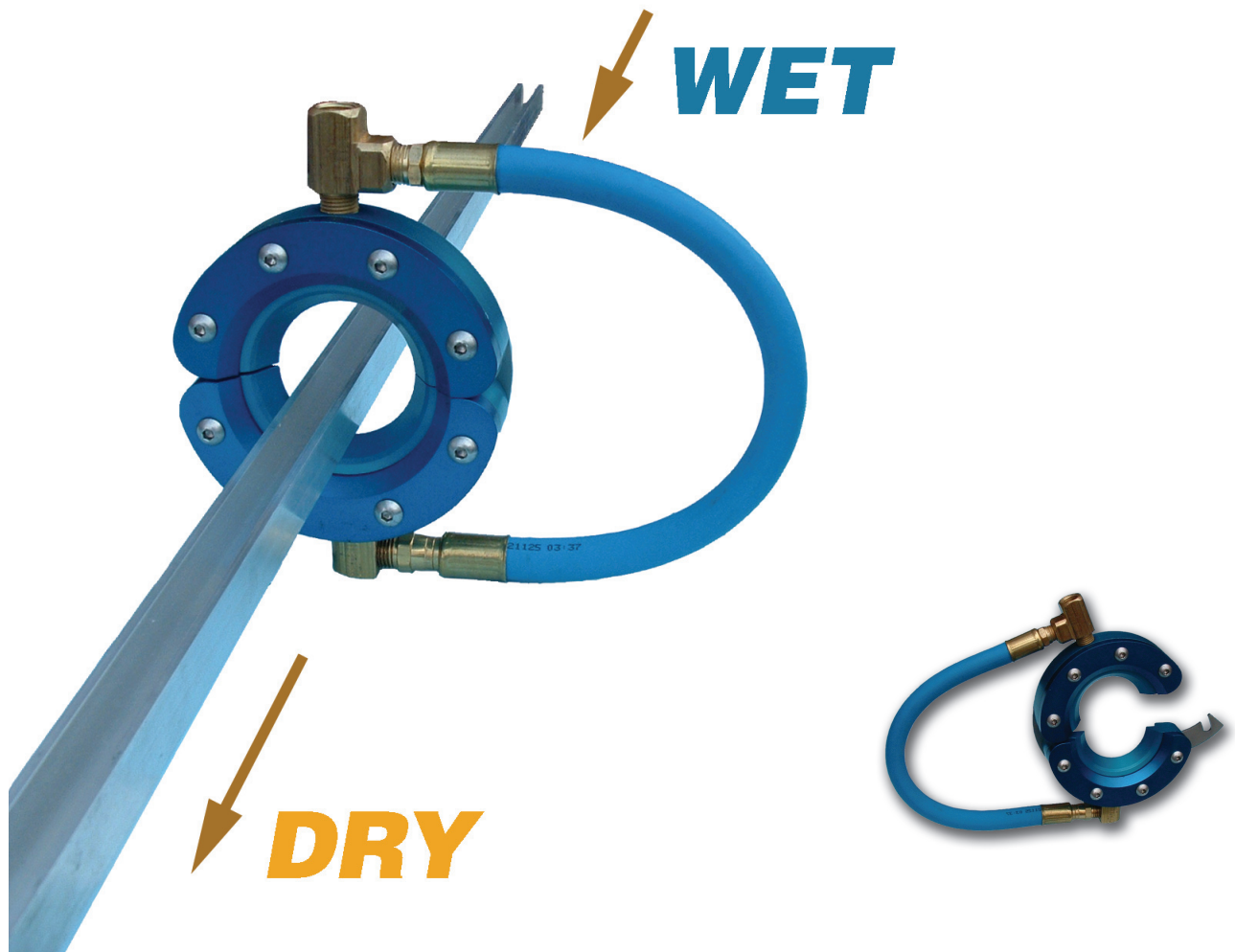


Bar	Vol in m ³ /min	Vol out m ³ /min
1.38	0.034	0.651
2.76	0.054	0.963
4.14	0.074	1.218
5.52	0.093	1.642

per 25mm length

RING BLADE AIR WIPE SYSTEM

The Ring-Blade™ has the advantage of being able to be opened at a single hinge point to close around any continuous length workpiece. The Ring-Blade™ Air Wipe System produces a "laminar" flow of air along its 360° angle using the "Coanda" effect which "entrains" a large volume of air from the surrounding area along with the small amount of compressed air from the Ring-Blade™ Air Wipe System air-saver wiper-blade to produce an output flow up to 30 times the input. Pay back on compressed air savings can be as soon as a few weeks in some applications when compared to nozzle "rings" or simple annular slots used by other air wiping systems.



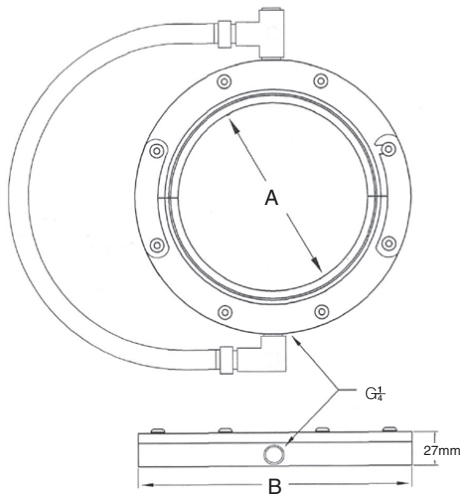
Features

- The Ring-Blade™ Air Wipe System is made from aluminum and stainless steel to provide even air flow 360° around the workpiece.
- Designed as two pieces hinged together to open and close around the part.
- Utilises the "Coanda" effect to amplify air flow.
- Instant on-off with no moving parts, no electricity or explosion hazard.

Benefits

- Reduced compressed air use for energy savings plus lower noise levels.
- Maintenance free with output easily controlled, safe to use.
- Easy to install and maintain and allows removal of a continuous piece.
- Even blow off around the workpiece, light in weight and compact.

RING BLADE AIR WIPE SYSTEM



ALUMINIUM RING BLADE WITH STANDARD AIR HOSE



Material: Aluminium.

Standard Gap: 0.05mm

dB(A) at: 5.5 bar is 80

Shims: 0.10mm optional extra

Standard Inlet Threads: G $\frac{1}{4}$

Options: $\frac{1}{4}$ " NPT

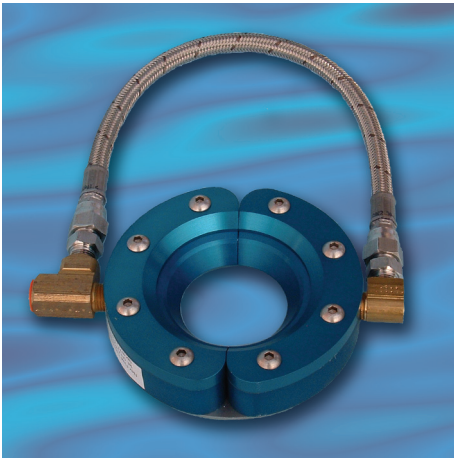
Please specify on order $\frac{1}{4}$ " NPTF

PART NO.	A	B	Description	Weight
RB1AL	25mm	57mm	Aluminium Ring Blade	0.20Kg
RB2AL	52mm	120mm	Aluminium Ring Blade	0.35Kg
RB3AL	77mm	146mm	Aluminium Ring Blade	0.60Kg
RB4AL	103mm	171mm	Aluminium Ring Blade	0.70Kg

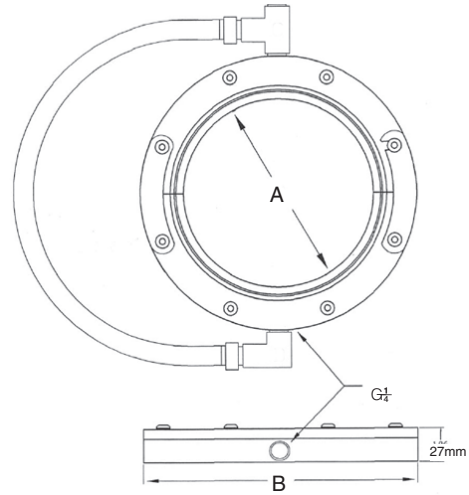
INLET PRESSURE BAR	Air Consumption in SCFM with standard 0.05mm gap					Air Consumption in SCFM with 0.10mm gap (shim added)				
	25.4 mm	50.8 mm	76.2 mm	101.6 mm	152.4 mm	25.4 mm	50.8 mm	76.2 mm	101.6 mm	152.4 mm
DIA. A	m ³ /min	m ³ /min	m ³ /min	m ³ /min	m ³ /min	m ³ /min	m ³ /min	m ³ /min	m ³ /min	m ³ /min
1 BAR	0.34	0.45	0.57	0.68	0.88	0.65	0.85	0.85	1.28	1.70
2 BAR	0.51	0.68	0.85	1.02	1.36	1.02	1.36	1.70	2.04	2.55
3 BAR	0.71	0.94	1.16	1.39	1.84	1.67	2.21	2.78	3.32	4.42
4 BAR	0.88	1.16	1.45	1.73	2.32	1.73	2.30	2.86	3.43	4.56
5 BAR	1.05	1.39	1.76	2.10	2.78	2.21	2.75	3.46	4.42	5.50
6 BAR	1.22	1.64	2.04	2.44	3.26	2.24	3.23	4.05	4.85	6.46

Based on an amplification ratio of 30:1 air flow output would be 30 times the above.

RING BLADE AIR WIPE SYSTEM



**HIGH TEMPERATURE
ALUMINIUM RING
BLADE WITH
STAINLESS STEEL
HOSE TO (205°C)**



Material: Aluminium & Stainless Steel.

Standard Gap: 0.05mm

dB(A) at: 5.5 bar is 80

Shims: 0.10mm optional extra

Standard Inlet Threads: G $\frac{1}{4}$

Options: $\frac{1}{4}$ " NPT
Please specify on order $\frac{1}{4}$ " NPTF

PART NO.	A	B	Description	Weight
RB1ALX	25mm	57mm	Aluminium Ring Blade	0.20Kg
RB2ALX	52mm	120mm	Aluminium Ring Blade	0.35Kg
RB3ALX	77mm	146mm	Aluminium Ring Blade	0.60Kg
RB4ALX	103mm	171mm	Aluminium Ring Blade	0.70Kg

INLET PRESSURE BAR	Air Consumption in SCFM with standard 0.05mm gap					Air Consumption in SCFM with 0.10mm gap (shim added)				
	25.4 mm	50.8 mm	76.2 mm	101.6 mm	152.4 mm	25.4 mm	50.8 mm	76.2 mm	101.6 mm	152.4 mm
DIA. A	m ³ /min	m ³ /min	m ³ /min	m ³ /min	m ³ /min	m ³ /min	m ³ /min	m ³ /min	m ³ /min	m ³ /min
1 BAR	0.34	0.45	0.57	0.68	0.88	0.65	0.85	0.85	1.28	1.70
2 BAR	0.51	0.68	0.85	1.02	1.36	1.02	1.36	1.70	2.04	2.55
3 BAR	0.71	0.94	1.16	1.39	1.84	1.67	2.21	2.78	3.32	4.42
4 BAR	0.88	1.16	1.45	1.73	2.32	1.73	2.30	2.86	3.43	4.56
5 BAR	1.05	1.39	1.76	2.10	2.78	2.21	2.75	3.46	4.42	5.50
6 BAR	1.22	1.64	2.04	2.44	3.26	2.24	3.23	4.05	4.85	6.46

Based on an amplification ratio of 30:1 air flow output would be 30 times the above.

TRIGGER ACTION BLOW GUNS

BRAUER offers two series of blow guns, both hand held and operated by trigger.

Our aluminium, trigger action blow gun has found favour with a number of major industrial companies, and has been particularly successful in difficult drying operations. The gun is light in weight and easy to use.

Our light weight reversible blow guns are manufactured from nylon, and are each a blow gun, vacuum gun and transfer gun in one compact unit. It is ideal for sucking up spills, waste, metal or plastic chips and is chemical and corrosion resistant. A wide range of accessories is available for this gun including dust collection bags, extension tubes, brushes, conveying hose and a crevice tool.

Our lightweight range is further enhanced with a deep hole air gun, ideal for cleaning holes up to 450mm deep.

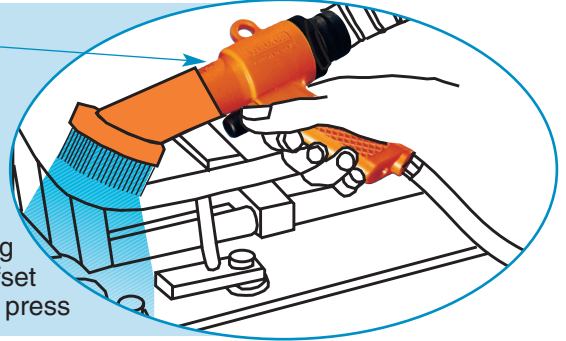
The deep hole air gun acts both as an air gun and a vacuum gun. A small black tube running from the main body of the unit blasts air to agitate particles while the main gun nozzle sucks them safely away. The benefit of this exceptional system is that it keeps swarf from blowing over into other holes and allows all swarf and debris to be cleared completely from deep drilled or tapped holes. A clear plastic tube gives the user visibility to see when the hole is clear of debris and it also provides protection against any flying particles (see application shot).

SOME TYPICAL APPLICATIONS - TRIGGER ACTION BLOW GUNS



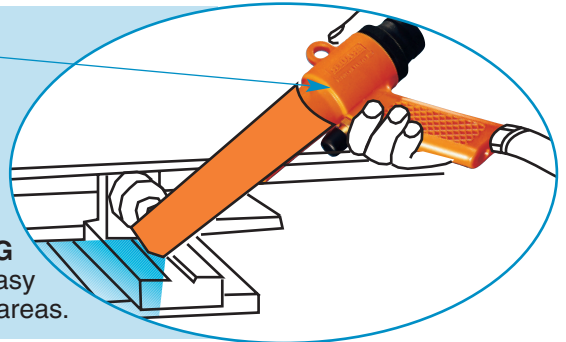
CAR BODY WORK PAINT REPAIRS
AG32 trigger action blow gun is ideal for drying small areas of paint on car body work.

SOME TYPICAL APPLICATIONS - TRIGGER ACTION BLOW/VACUUM GUNS



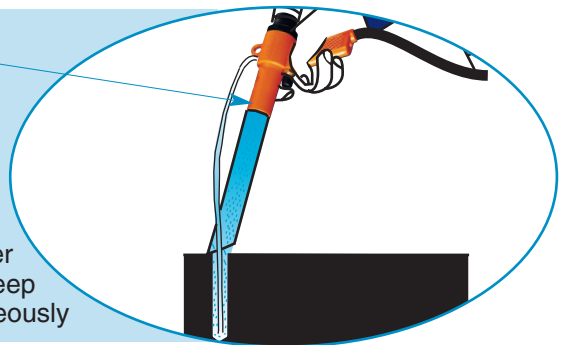
PRINTING

The Reversible Air Gun improves product quality and working environment in printing by efficient clean-up of offset powder on a printing press



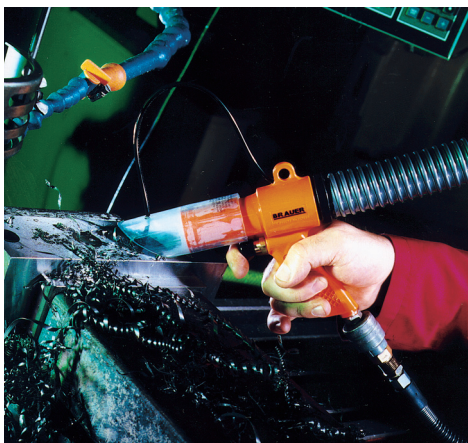
METAL WORKING

Reversible Air Gun with crevice tool accessory makes easy work of vacuuming swarf and coolant from hard to reach areas.

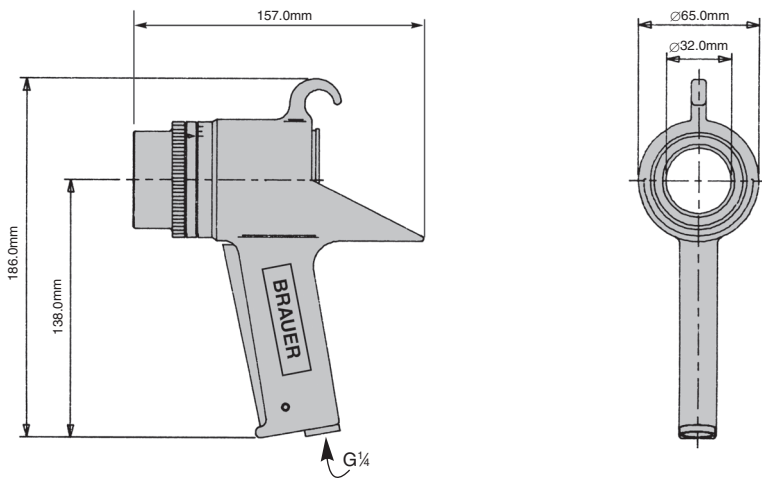


DEEP HOLE CLEANING GUN

Removing chips from deep holes after drilling is made simple using the specially designed deep cleaning gun to purge holes of debris instantaneously



TRIGGER ACTION BLOW GUN AG32



Material: Aluminium Alloy.

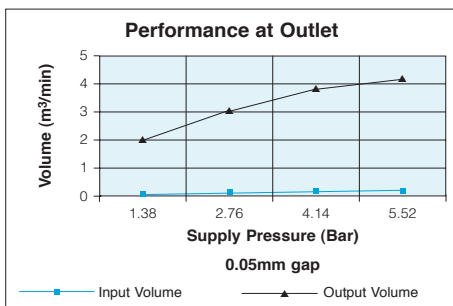
Weight: 0.54Kg

Standard Gap: Adjustable

dB(A) at: 5.5 bar is 78

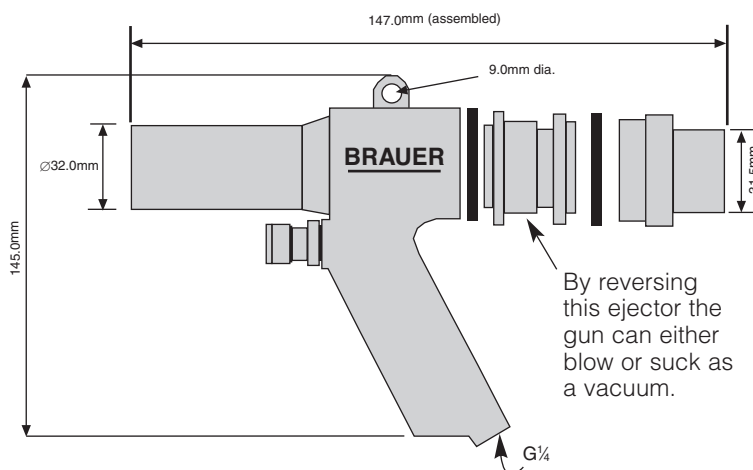
Standard Inlet Thread: G $\frac{1}{4}$

Options: $\frac{1}{4}$ " NPT
Please specify on order $\frac{1}{4}$ " NPTF



Bar	Vol in m ³ /min	Vol out m ³ /min
1.38	0.122	1.931
2.76	0.218	2.939
4.14	0.311	3.695
5.52	0.405	4.199

TRIGGER ACTION REVERSIBLE BLOW GUN CG22



Material: Nylon.

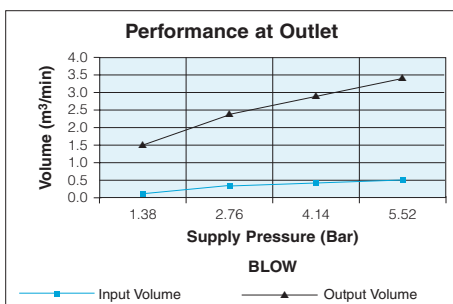
Weight: 0.15Kg

Standard Gap: Adjustable

dB(A) at: 5.5 bar is 79

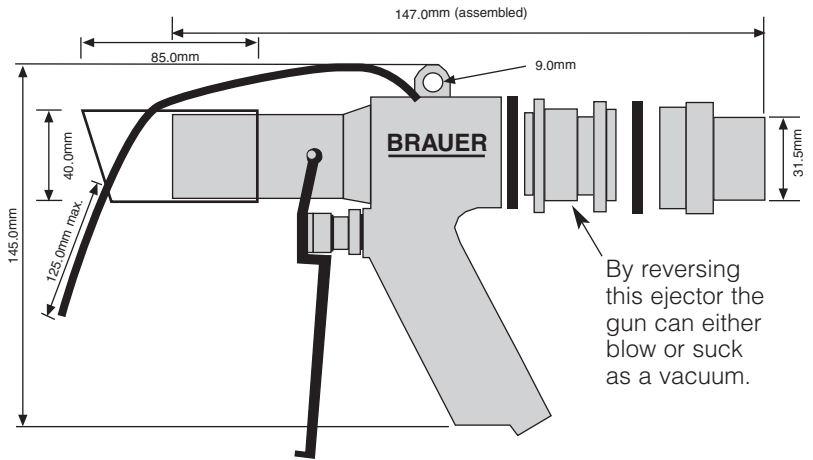
Standard Inlet Thread: G $\frac{1}{4}$

Option: $\frac{1}{4}$ " NPT
Please specify on order



Bar	Vol in m ³ /min	Vol out m ³ /min
1.38	0.181	1.512
2.76	0.295	2.352
4.14	0.396	2.856
5.52	0.513	3.360

CG22DH DEEP HOLE AIR GUN



Material: Nylon.

Weight: 0.20Kg

Standard Gap: Adjustable

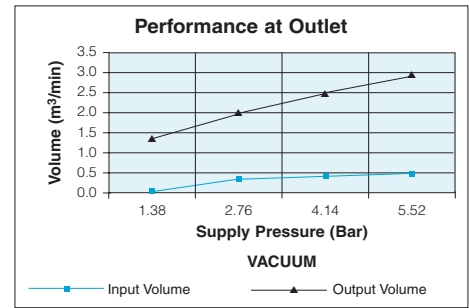
dB(A) at: 5.5 bar is 79

Standard Inlet Thread: G $\frac{1}{4}$

Option: $\frac{1}{4}$ " NPT

Please specify on order

Bar	Vol in m ³ /min	Vol out m ³ /min
1.38	0.185	1.344
2.76	0.304	2.016
4.14	0.421	2.520
5.52	0.531	2.940



ACCESSORIES FOR REVERSIBLE BLOW GUN

A wide range of accessories is available including Dust Bags, Extension Tubes, Brushes, Crevice Tool and Delivery Hose.



MODEL NO.	DESCRIPTION
DB22-1	DUST BAG includes clip
RB22-6	ROUND BRUSH *
ET22-3	EXTENSION TUBE
CN22-5	CREVICE TOOL *
FN22-2	FLARED NOZZLE *
CH22-4	EXTENSION HOSE

* can be used with both blow gun and drum pump

AIRMISER NOZZLES

Brauer Airmisers can be fitted either as part of a system or onto any hand held blow gun having a G $\frac{1}{8}$ female outlet. The airmiser gives a concentrated high velocity jet of air, the compressed airflow being magnified some 25 times or more. However this is achieved with minimal consumption.

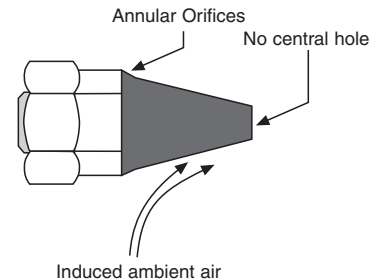
Provide 30% to 50% more thrust than other nozzles at the same consumption of compressed air. All models induce ambient air in approximately 25 to 1 ratio providing much higher thrust. No Central Through Orifice, eliminates static pressure. Use for: Blow Guns, Cooling/Blowing, Parts Ejection, Drying. Smooth flow reduces noise to a minimum.

FOR MAXIMUM PERFORMANCE

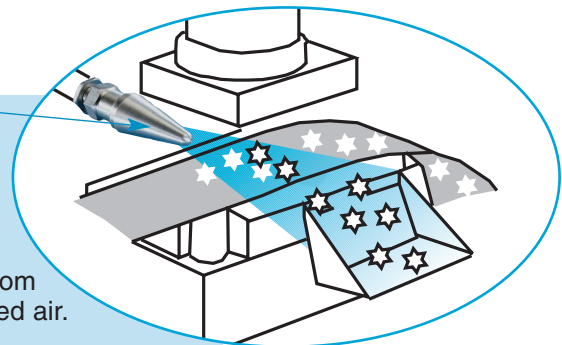
Use clean air up to 10 Bar

Valves & fittings must be large enough to permit full flow.

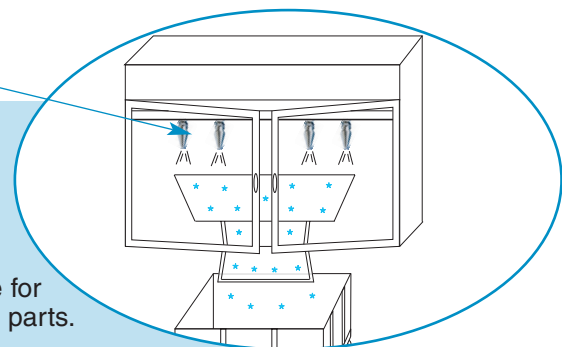
Valves & fittings on lines feeding "Blow Hard" must have orifice size of at least 5.5mm diameter.

HIGH THRUST**SOME TYPICAL APPLICATIONS - AIRMISER NOZZLES****STAMPING**

Careful placement of this Airmiser Nozzle ejects parts quickly from this stamping press whilst conserving compressed air.

**MOULDING**

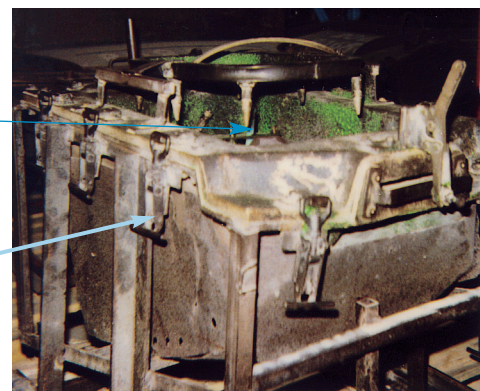
The small size of an Airmiser nozzle with its instant on/off facility makes it ideal for moulding machines. It is used here for cooling and quick release of small parts.



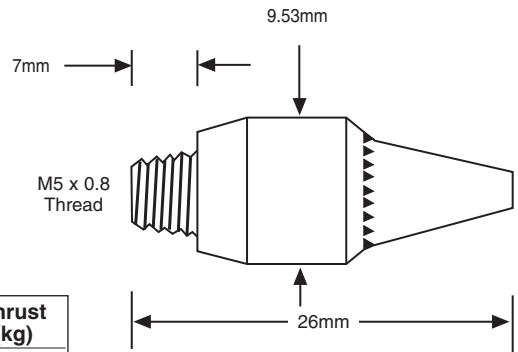
Airmiser nozzle cooling a hot spot in a plastic mould.



FOR BRAUER CLAMPING PRODUCTS PLEASE SEE THE BRAUER CLAMPING PRODUCTS CATALOGUE.



A1 AIRMISER NOZZLE



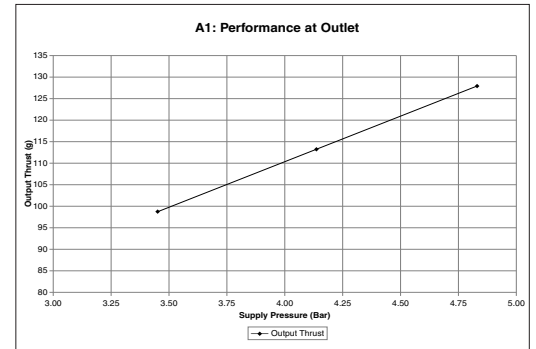
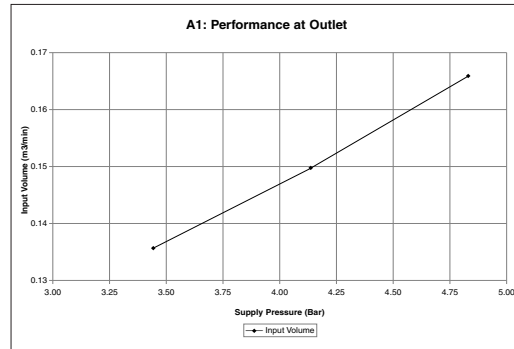
Bar	Vol in m ³ /min	Thrust (kg)
3.45	0.14	0.1
4.14	0.15	0.11
4.83	0.17	0.13

Material: Brass

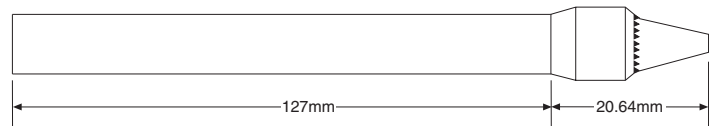
Weight: 0.007kg

dB(A) at: 5.5 bar is 68

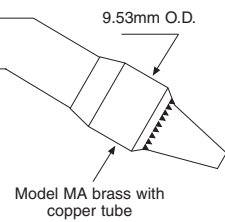
Inlet Thread: G $\frac{1}{4}$ O.D. Tube



A1L MINI AIRMISER NOZZLE WITH LONG COPPER TUBE



6.35mm O.D. Copper Tube easily bent to direct air jet



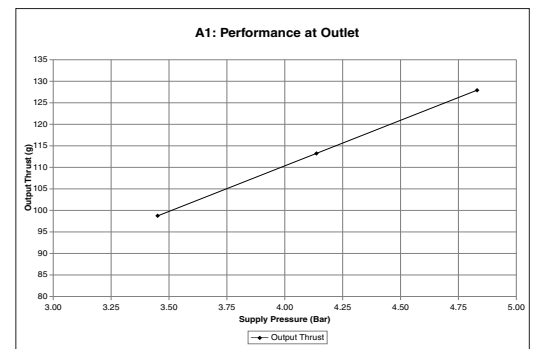
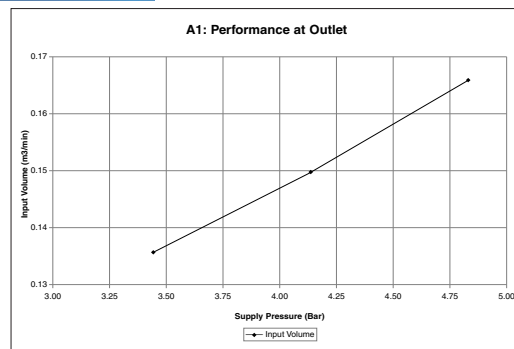
Bar	Vol in m ³ /min	Thrust (kg)
3.45	0.14	0.1
4.14	0.15	0.11
4.83	0.17	0.13

Material: Brass with copper tube.

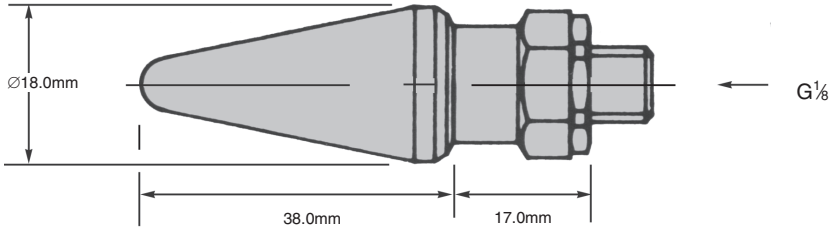
Weight: 0.023kg

dB(A) at: 5.5 bar is 68

Inlet Thread: G $\frac{1}{4}$ O.D. Tube



STANDARD AIRMISER NOZZLE A2



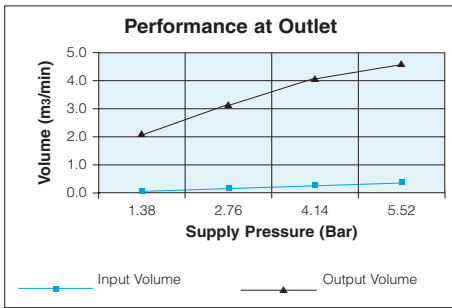
Material: Aluminium Alloy.

Weight: 0.025Kg

Standard Gap: 0.15mm

dB(A) at: 5.5 bar is 83

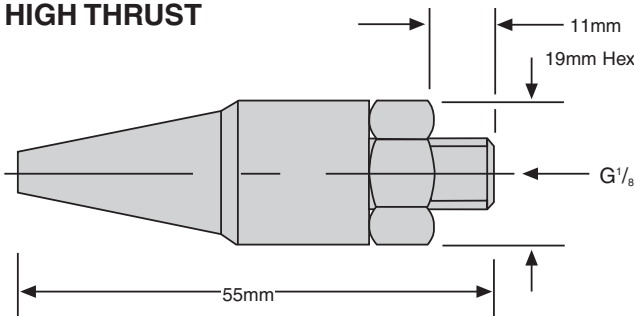
Inlet Thread: G $\frac{1}{8}$



Bar	Vol in m³/min	Vol out m³/min
1.38	0.125	2.265
2.76	0.212	3.256
4.14	0.300	4.106
5.52	0.391	4.672

ADJUSTABLE AIRMISER NOZZLE A3

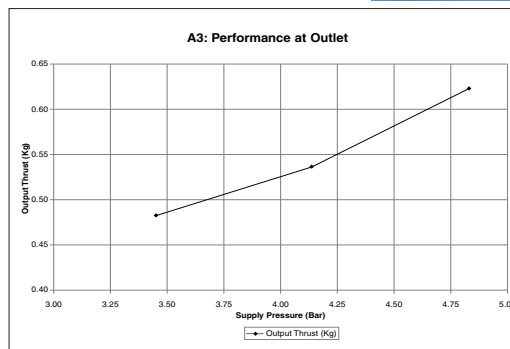
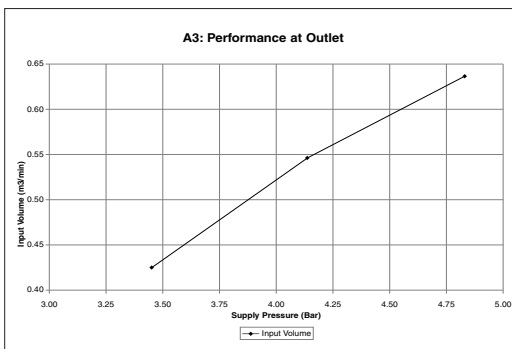
HIGH THRUST



Uses and Advantages

Infinitely adjustable.
Valves and regulators not required.

Bar	Vol in m³/min	Max thrust (kg)
3.45	0.43 max.	0.48
4.14	0.55 max.	0.54
4.83	0.64 max.	0.62



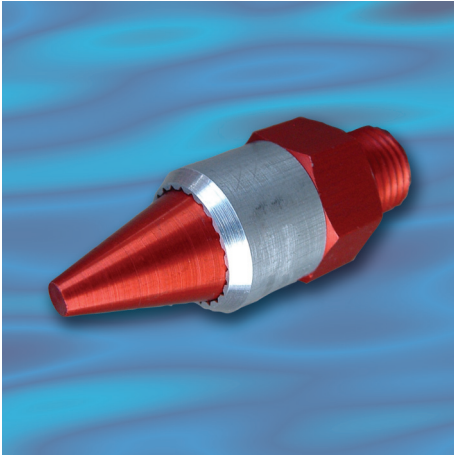
Material: Aluminium.

Weight: 0.025kg

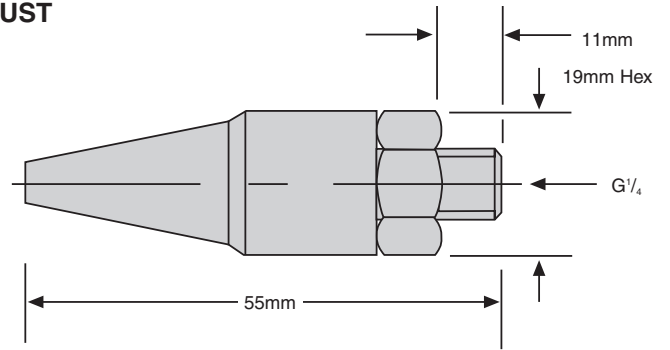
dB(A) at: 5.5 bar is 84

Inlet Thread: G $\frac{1}{8}$

A4 BLOWHARD AIRMISER NOZZLE



HIGH THRUST



Material: Aluminium.

Weight: 0.025kg

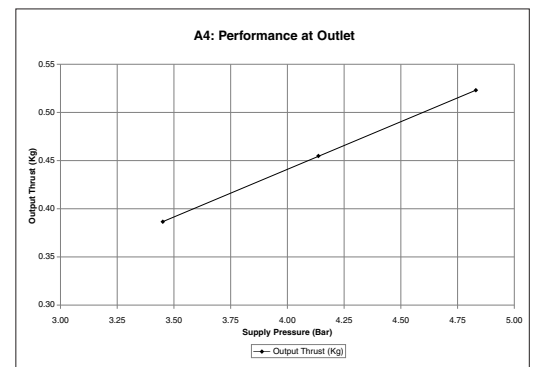
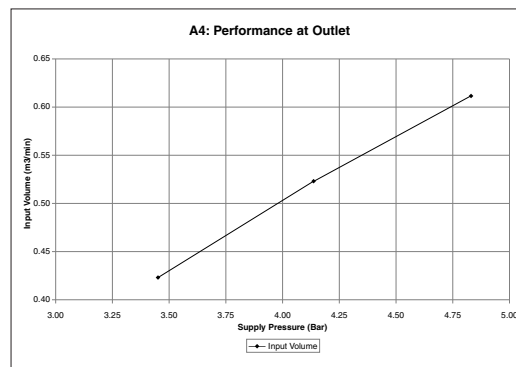
dB(A) at: 5.5 bar is 83

Inlet Thread: G $\frac{1}{4}$

Uses and Advantages

Heavy duty parts ejection. Cooling and drying. Economical and quiet.

Bar	Vol in m ³ /min	Thrust (kg)
3.45	0.43	0.38
4.14	0.52	0.45
4.83	0.61	0.52



INDUSTRIAL CLEANING AIR PUMP SYSTEMS

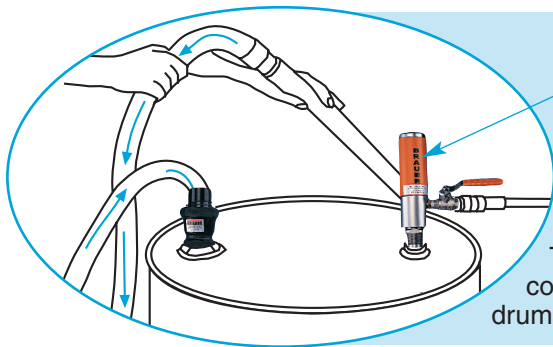
BRAUER has developed a range of tooling aids to assist the workshop engineers – whether they are working with metals, plastics or chemicals.

The Brauer Drum Pump is designed to pick up liquid spills in the workshop. The system utilises the standard 205 litre drum including the two holes which are standard in the drum lid. Tests have shown that the Brauer Drum Pump can transfer 125 litres of machine tool coolant in 65 seconds. The Brauer Drum Pump comes with a number of useful tools which allow the transfer of liquids and solids with ease from difficult areas.

The Brauer air pump system CGP22 is designed to convey a wide range of materials both horizontally and vertically over long distances in a ducted system.

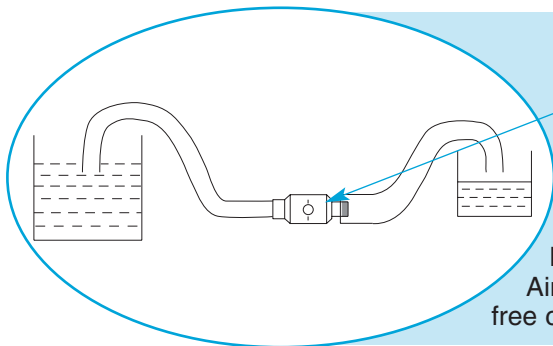
When placed in series the air pump will provide enhanced performance by giving improved conveying power over a much greater distance.

SOME TYPICAL APPLICATIONS - DRUM PUMP



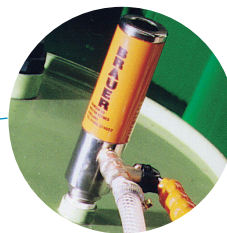
METALWORKING

The Drum Pump kit handles sludge, oil coolant or wet swarf pulling it into drums for clean and easy disposal.



PLASTICS

Air Pump system used for maintenance free conveying of plastic granules.



REMOVING SWARF

Drum pump cleaning up swarf into metal drum for easy disposal.

DP175 LIQUID DRUM PUMP



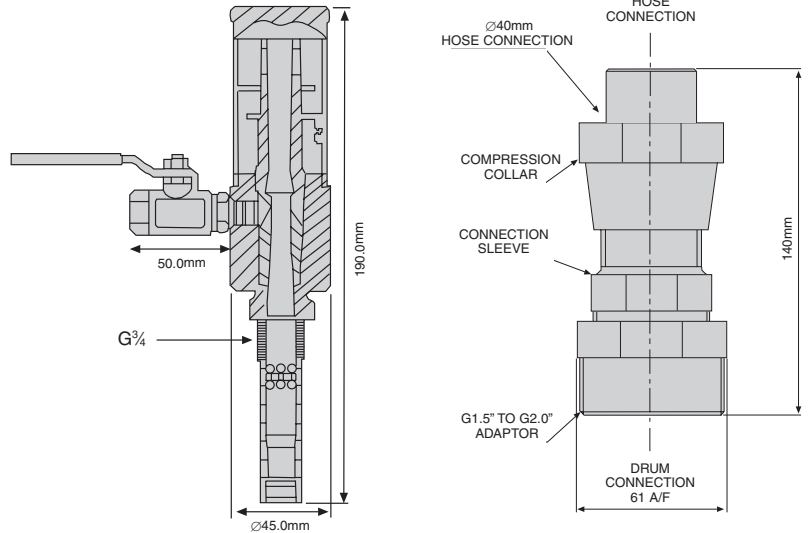
Material: Pump: Stainless Steel
Connector: Nylon

Weight: 1.6Kg

dB(A) at: 5.5 bar is 92

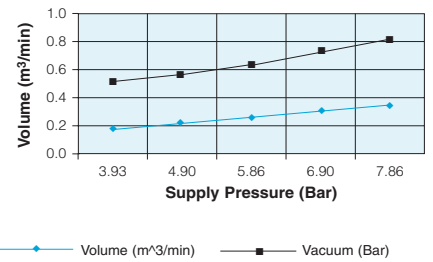
Standard Inlet Threads: G 1/4

Options: 1" NPT
Please specify on order



Bar	Vol in m ³ /min	Vol out m ³ /min	SLPM (L/min)
3.93	0.170	0.476	470
4.90	0.212	0.559	560
5.86	0.255	0.641	640
6.90	0.297	0.724	720
7.86	0.340	0.807	810

Air Consumption & Generated Vacuum



CGP22 AIR PUMP SYSTEM



Material: Nylon.

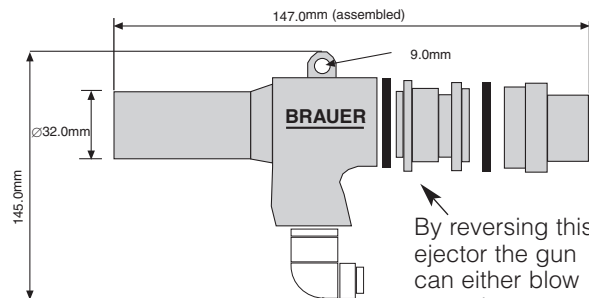
Weight: 0.12kg

Standard Gap: Adjustable

dB(A) at: 5.5 bar is 79

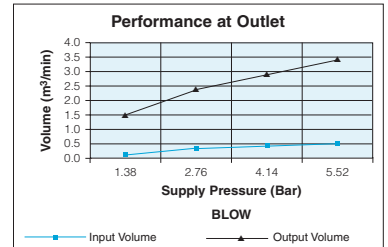
Standard Inlet Threads: G 1/4

Options: 1" NPT
Please specify on order

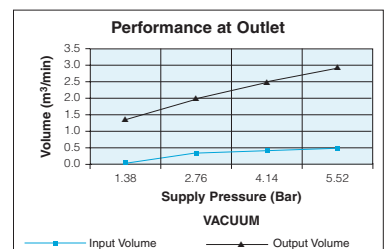


By reversing this gun the ejector the gun can either blow or suck as a vacuum.

Bar	Vol in m ³ /min	Vol out m ³ /min
1.38	0.181	1.512
2.76	0.295	2.352
4.14	0.396	2.856
5.52	0.513	3.360



Bar	Vol in m ³ /min	Vol out m ³ /min
1.38	0.185	1.344
2.76	0.304	2.016
4.14	0.421	2.520
5.52	0.531	2.940



ACCESSORIES FOR DRUM PUMP

A wide range of accessories is available including Extension Tubes, Brushes, and Crevice Tool.

MODEL NO.	DESCRIPTION
DP175-4	HOSE
DP175-5	EXTENSION TUBE
DP175-2	90° QUICK CONNECTOR



STAINLESS STEEL VORTEX TUBES

A Vortex Tube turns ordinary compressed air into two streams of air, one is very cold and one hot. The Brauer Vortex Tube is manufactured from stainless steel giving excellent resistance to oxidation and corrosion and particularly high wear resistance. No tools are needed to adjust the temperature; this is achieved by use of a control knob at the end of the unit.

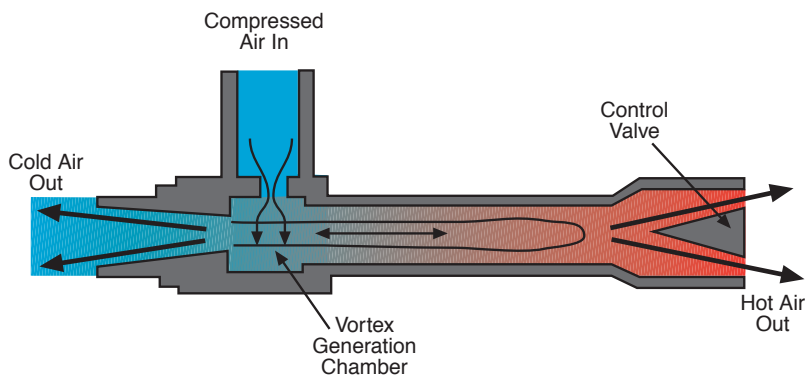
Brauer Vortex Tubes can produce:

- temperatures from 38°C below input temperature to 39°C above input temperature
- airflow rates up to 0.85m³/min (30 SCFM or 860 SLPM)
- refrigeration up to 1430 Btu/H (360 Kcal/H)

Applications include the cooling of electronic enclosures.

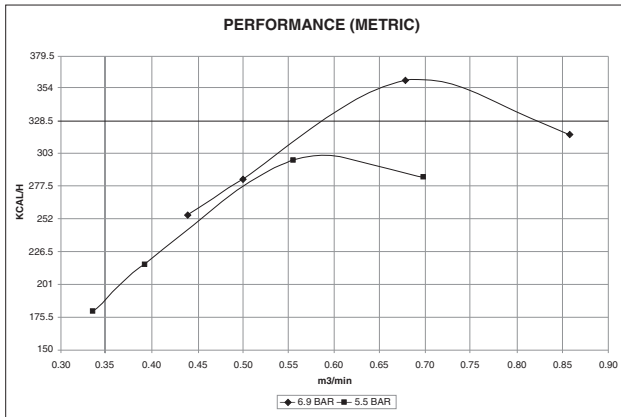
VORTEX TUBES AND HOW THEY WORK

A compressed air supply at up to 6.9 bar is used to create 2 low pressure air flows when passed through the vortex generator. The generator spins the air and separates it into cold air and hot air. The cold air exits at typically 38°C below the air supply temperature, whilst hot air at 39°C above the air supply temperature exits at the rear of the vortex chamber.



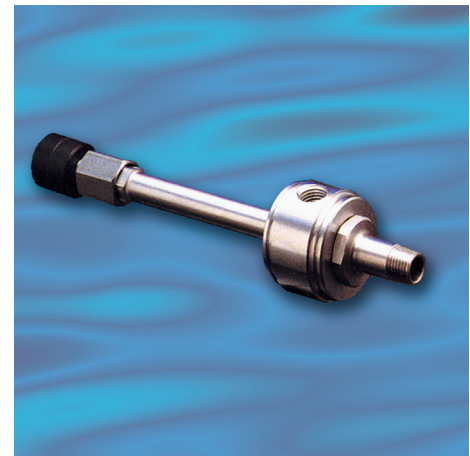
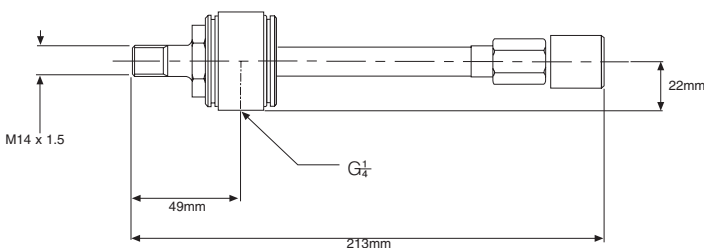
VORTEX TUBES PERFORMANCE

The Vortex Tube Performance Charts below give approximate temperature drops (and rises) from inlet air temperature produced by a vortex tube set at each cold fraction. Assuming no fluctuation of inlet temperature or pressure, a vortex tube will reliably maintain temperature within $\pm 1^\circ\text{C}$.



Unit/Generator	Supply Pressure BAR	Air Consumption m³/min	Thermal Capacity KCAL/H	Temp Red's °C
#2	6.9	0.44	255	38
#4	6.9	0.50	283	34
#6	6.9	0.68	360	25
#8	6.9	0.86	318	16.4
#2	5.5	0.34	180	36
#4	5.5	0.39	217	33
#6	5.5	0.56	298	25
#8	5.5	0.70	285	16

CG4AX VORTEX TUBES



Material: Stainless Steel.

Weight: 1.5Kg

dB(A) at: 5.5 bar is 80

Standard Inlet Threads: $G\frac{1}{4}$

Options: $\frac{1}{4}$ " NPT
Please specify on order $\frac{1}{4}$ " NPTF

COLD AIR GUNS – FIXED AND ADJUSTABLE

It seems amazing that your workshop compressed air can be used to provide two very different air streams when passed through the Brauer Cold Air Gun or Vortex Tube

- one air stream at 38°C below the workshop supply temperature
 - the other at 39°C above the workshop supply temperature
- all by using a Brauer Cold Air Gun

The uses for such a phenomenon are widespread:

- cool machining operations, removing the need for wet coolant
- cool electronic control cabinets
- setting hot formed plastics, sealants or solders

All are achieved with no electric power requirement and using a virtually maintenance free, stainless steel constructed Vortex Tube.

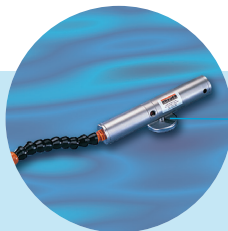
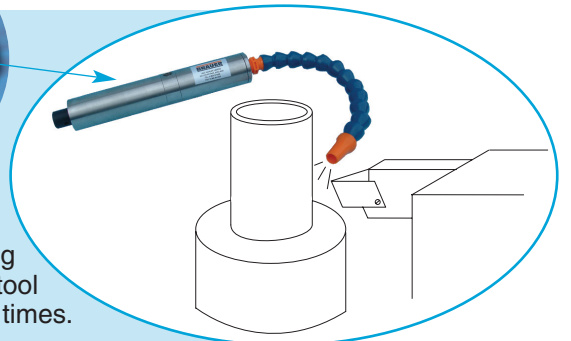
The Brauer adjustable cold air gun has incorporated a temperature control knob allowing you to set the optimum efficiency required for your application.

SOME TYPICAL APPLICATIONS - COLD AIR GUN



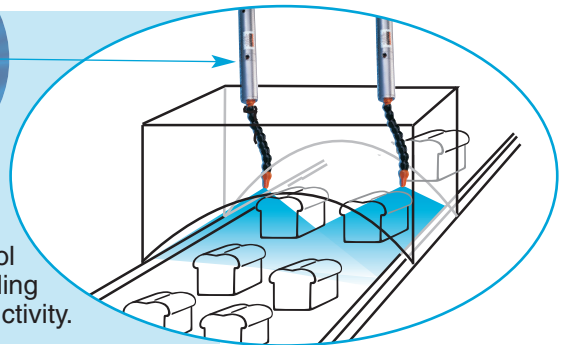
PLASTICS AND MACHINING

A Cold Air Gun improves the finish on this plastic by cooling the cutting tool thus increasing the life of the cutting tool and therefore speeding up cycle times.

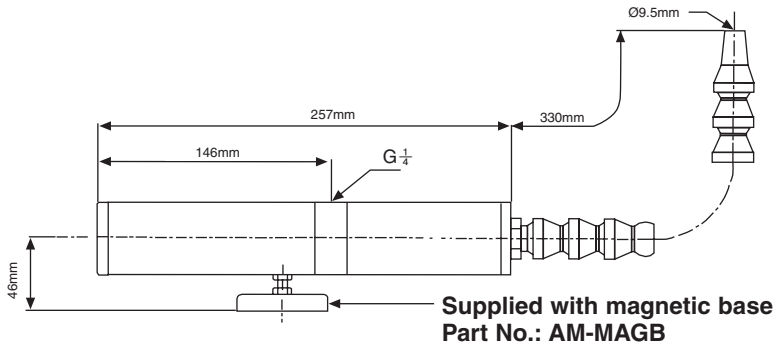


FOOD PROCESSING - PRODUCT COOLING

Two Cold Air Guns provide clean, cold dry air to cool bakery items eliminating expensive and long cooling conveyors, and thus improving productivity.



COLD AIR GUN CG4



Material: Stainless Steel

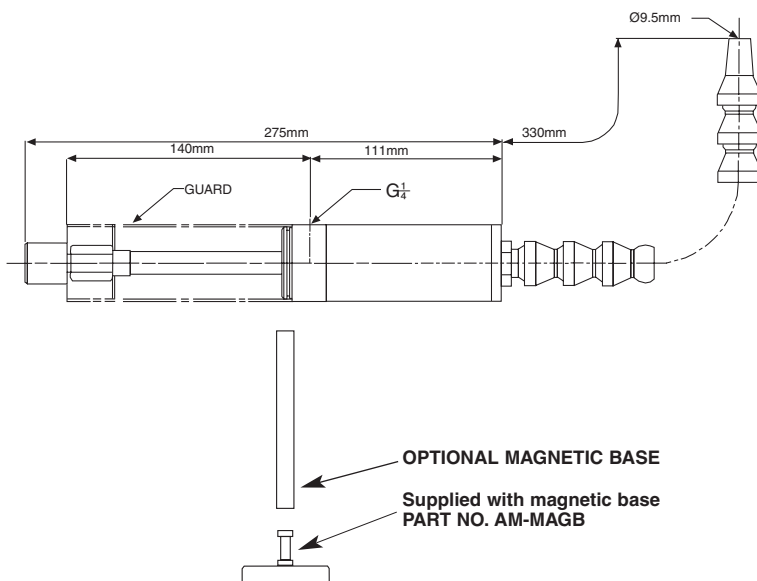
Weight: 1.7Kg

dB(A) at: 5.5 bar is 80

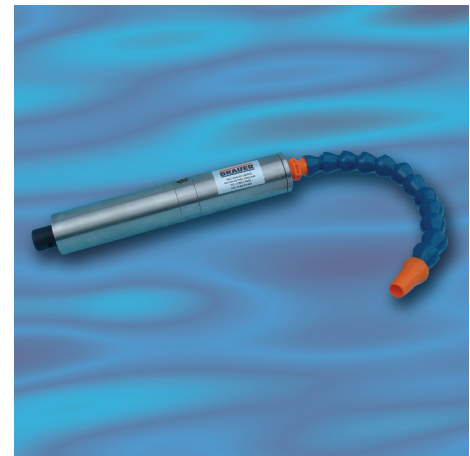
Standard Inlet Threads: G $\frac{1}{4}$

Options: $\frac{1}{4}$ " NPT
Please specify on order $\frac{1}{4}$ " NPTF

ADJUSTABLE COLD AIR GUN CG4A



Optional mounting rings are available (see page 22).



Material: Stainless Steel.

Weight: 1.7Kg

dB(A) at: 5.5 bar is 80

Standard Inlet Threads: G $\frac{1}{4}$

Options: $\frac{1}{4}$ " NPT
Please specify on order $\frac{1}{4}$ " NPTF

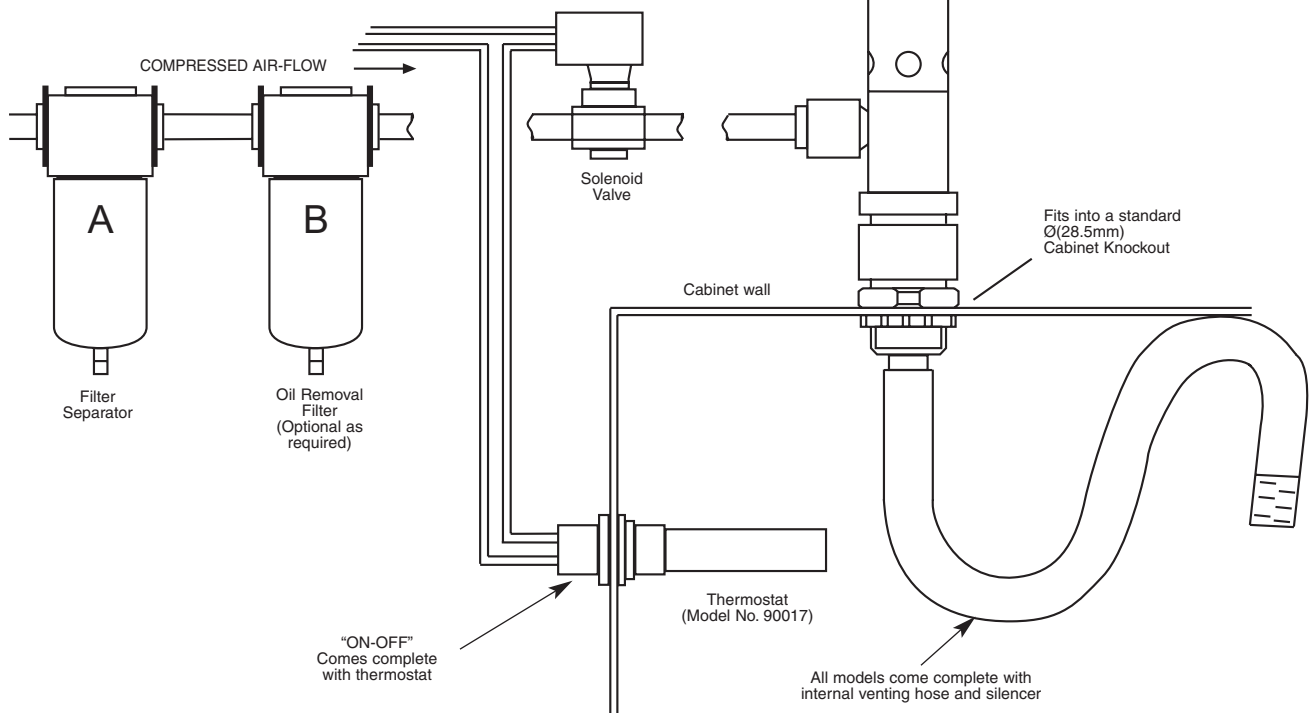
CABINET/ENCLOSURE COOLERS

Air Enclosure Cooler Conditioners for control panels provide a low cost method of both purging and cooling electrical and electronic control panels by using a stainless steel vortex tube to create cold air from ordinary compressed air.

There are virtually no moving parts. These units are compact and can be installed in minutes through a standard electrical cabinet knockout hole. These units are ideal for all NEMA 12 rated panels. Filtered, compressed air enters the Enclosure Cooler Electrical Panel Cabinet Cooling System Air Conditioner and through the vortex tube component. The air is split into two streams, one hot and one cold.

The muffled hot air from the vortex tube is expelled through the top of the air conditioner. The cold air is directed into the enclosure through the cold air distribution venting hose. Hot air inside the enclosure rises and exits to atmosphere via the air exhaust at a slight positive pressure. The enclosure is both purged and cooled with clean air. No outside air enters the enclosure.

MODEL NO.	VERSION	BTU/Hr. cooling*
EC15C	12 Continuous Operation	1100
EC25C	12 Continuous Operation	1800
EC30C	12 Continuous Operation	2100
EC40C	12 Continuous Operation	2900
EC15	NEMA 12 on-off control	1100
EC25	NEMA 12 on-off control	1800
EC30	NEMA 12 on-off control	2100
EC40	NEMA 12 on-off control	2900



ALL 'CONTINUOUS' OPERATING MODELS INCLUDE:
 ALL 'ON-OFF' OPERATING MODELS INCLUDE:

COLD AIR INTERNAL VENTING HOSE & SILENCER
 COLD AIR INTERNAL VENTING HOSE; SILENCER & THERMOSTAT

CABINET COOLER**Advantages**

- * Low in cost
- * Compact
- * No CFC's
- * Fast installation
- * Stabilize enclosure temperature and humidity
- * Virtually maintenance free (No Moving Parts)
- * Mounts in a standard electrical knockout
- * Stops heat damage and nuisance tripping
- * Eliminates fans and filters
- * Prevents dirt contamination by keeping enclosure at positive pressure
- * Units applicable to all environments including high temperature to 200°F

Selection

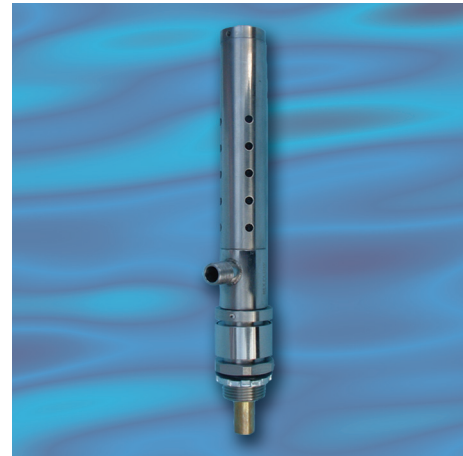
Brauer's EC range of Cabinet Cooler Air Conditioning Systems uses a 5 micron filter with an automatic drain for the compressed air supply to insure clean, dry air and an air distribution kit to circulate the cold air inside the enclosure for even cooling.

The Brauer EC range is available with or without thermostat control.

When constant cooling and a constant positive purge is required we recommend the continuous operating version without the thermostat and solenoid valve. The cooling effect can be controlled by adding a regulator in line to reduce pressure for reduced cooling when it is not required and to conserve energy.

Systems utilizing a thermostat and solenoid valve saves air by activating the air conditioner only when the internal temperature reaches a critical level. The adjustable thermostat is factory set at 35°C but can be readjusted on site.

Thermostat and solenoid valve systems are

**Applications**

- * Computer Enclosures
- * Frequency Drives
- * CCTV Cameras
- * NC/CNC Systems
- * Scanners

recommended where the heat load can fluctuate (such as for frequency drives) and where a continual purge is not required. The thermostat and solenoid "package" can also be added at a later date to a continuous system.

Sizing Specifications

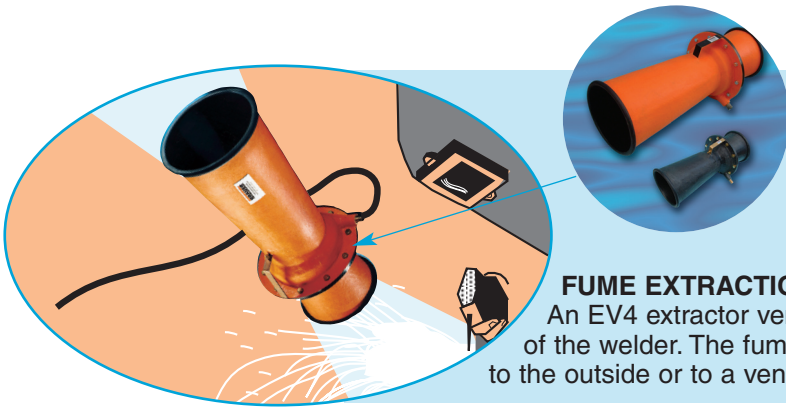
Sizing Specifications for the Brauer Enclosure Coolers.

- * Cooling effect based on 35°C temperature inside cabinet, 6.8 Bar compressor inlet pressure, and 21°C inlet temperature. BTU/hr. figures rounded to nearest 100 BTU/hr.
- * All Continuous Operation models include the cooling unit, and cold air distribution kit.
- * All On-Off control units include the cooling unit, with cold air distribution kit, and thermostat.

EXTRACTOR VENTILATORS

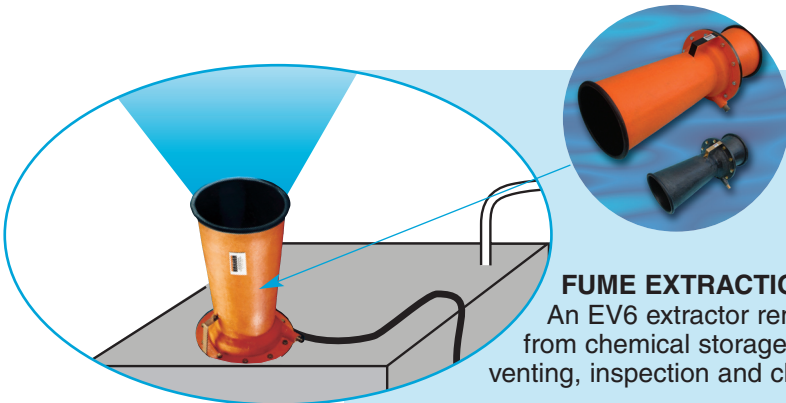
In some applications it is important to vent large volumes of air or fumes as quickly as possible – for example in venting the cargo holds of ships. Brauer offers a range of lightweight, GRP construction ventilators which remove dust and fumes quickly and safely, and are resistant to chemicals, salt water and general corrosion. A range of anti-static extractor/ventilators is also available

SOME TYPICAL APPLICATIONS - EXTRACTOR VENTILATORS



FUME EXTRACTION

An EV4 extractor ventilator removing fumes directly from the face of the welder. The fumes can be led away by a flexible pipe to the outside or to a ventilation system



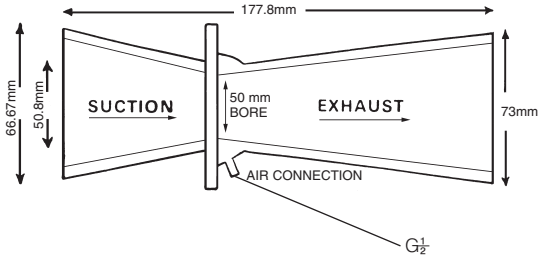
FUME EXTRACTION

An EV6 extractor removing hot gasses from chemical storage tank prior to tank venting, inspection and cleaning.



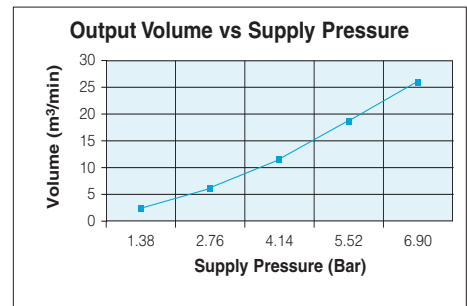
An EV8 extractor ventilator used to vent the cargo hold of a ship prior to cleaning.

EV2 EXTRACTOR VENTILATOR

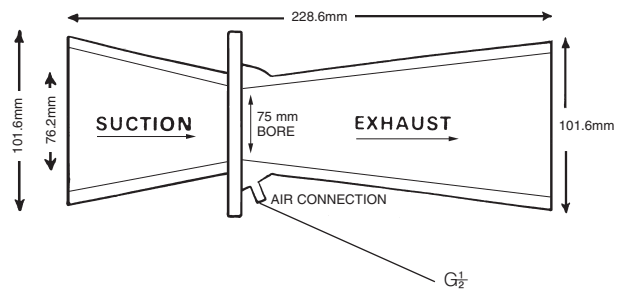


Material: GRP
Weight: 0.43Kg
dB(A) at: 5.5 bar is 90
Takes 64mm bore ducting
Standard Inlet Threads: G₂¹
Option: $\frac{1}{2}$ " NPT
Please specify on order

Bar	Vol out m ³ /min
1.38	2.8
2.76	6.8
4.14	11.9
5.52	18.4
6.90	26.0

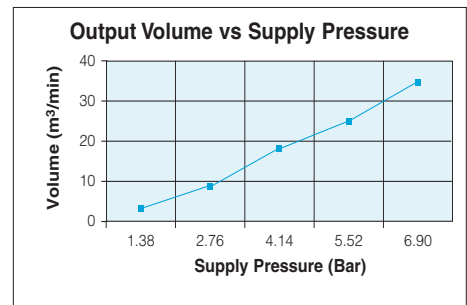


EV3 EXTRACTOR VENTILATOR



Material: GRP.
Weight: 0.71Kg
dB(A) at: 5.5 bar is 88
Takes 102mm bore ducting
Standard Inlet Threads G₂¹
Option: $\frac{1}{2}$ " NPT
Please specify on order

Bar	Vol out m ³ /min
1.38	3.7
2.76	8.5
4.14	16.7
5.52	25.5
6.90	34.0



EV4 EXTRACTOR VENTILATOR



Material: GRP.

Weight: 1.5Kg

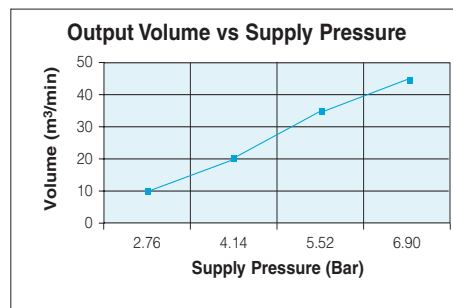
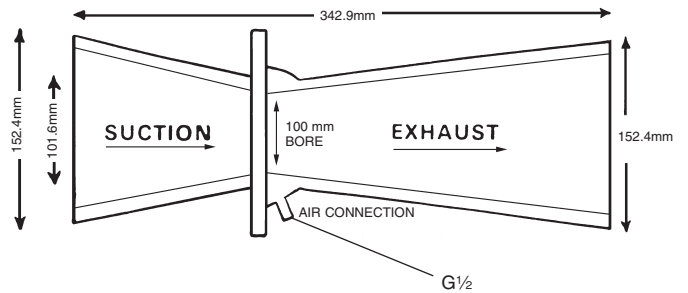
dB(A) at: 5.5 bar is 85

Takes 152mm bore ducting

Standard Inlet Threads: G $\frac{1}{2}$

Option: $\frac{1}{2}$ " NPT

Please specify on order



EV6 EXTRACTOR VENTILATOR



Material: GRP.

Weight: 4.5Kg

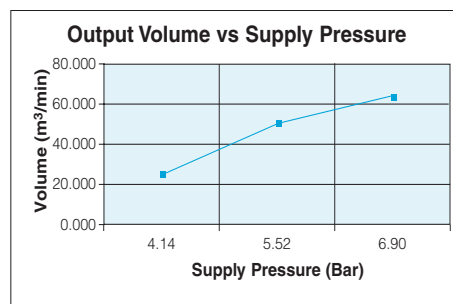
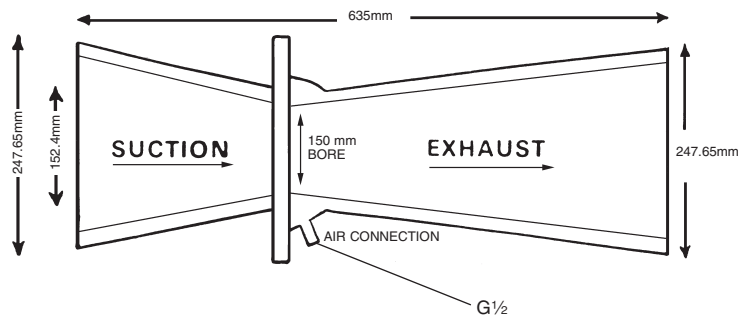
dB(A) at: 5.5 bar is 78

Takes 254mm ducting

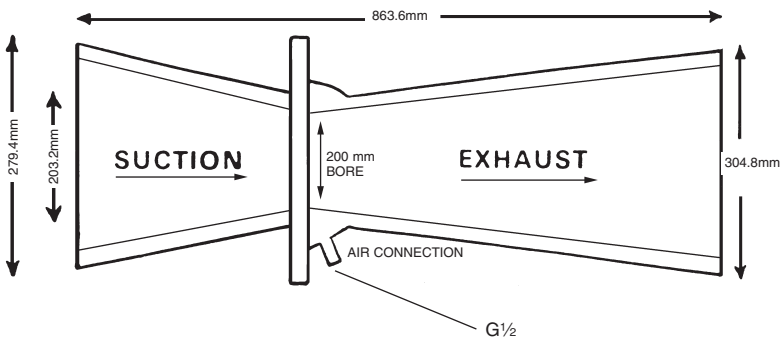
Standard Inlet Threads: G $\frac{1}{2}$

Option: $\frac{1}{2}$ " NPT

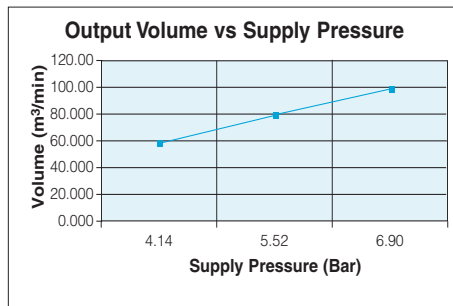
Please specify on order



EXTRACTOR VENTILATOR EV8



Bar	Vol out m ³ /min
4.14	56.6
5.52	76.5
6.90	96.3



Material: GRP.

Weight: 7Kg

dB(A) at: 5.5 bar is 75

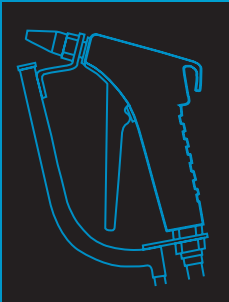
Takes 305mm ducting

Standard Inlet Threads: G $\frac{1}{2}$

Option: $\frac{1}{2}$ " NPT

Please specify on order

**FOR ANTI-STATIC
EXTRACTOR VENTILATORS
— SEE PAGE 67**



**ANTI-STATIC
PRODUCTS**

ELECTROSTATIC ELIMINATORS

Static electricity is a problem which affects many areas of industry, especially those handling non-conductive materials, such as plastics, paper, board, and textiles. Typical problem areas are:

MISBEHAVIOUR OF THE PRODUCT:

Electrostatic attraction (or repulsion) causes materials to stick to machinery, or to each other, causing quality and productivity problems.

DUST ATTRACTION:

Attraction of dust and other contaminants is important in many areas of industry, where it causes serious quality problems.

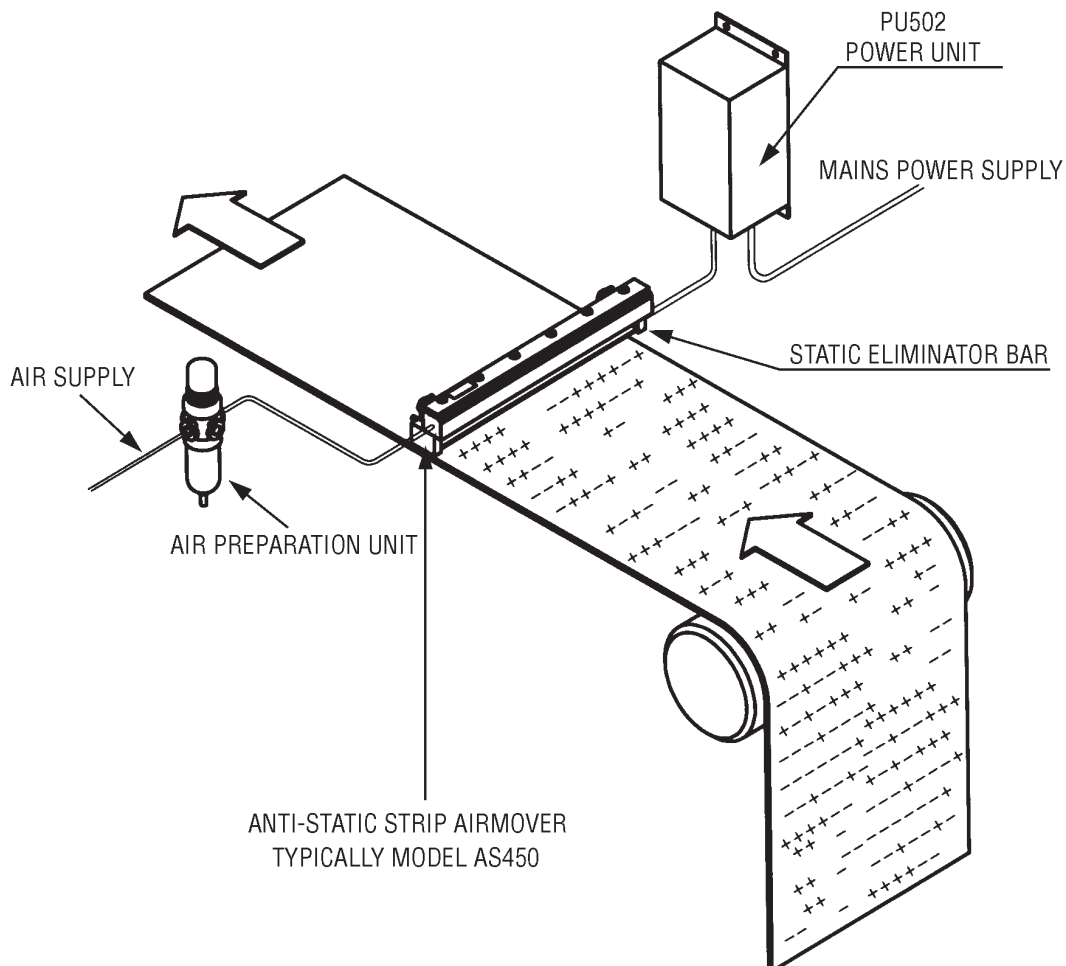
SAFETY:

Shocks to personnel are unpleasant and dangerous and do not have to be tolerated in the workplace. Static discharges also cause fires where combustible solvents are used.

DAMAGE TO ELECTRONICS:

Electrostatic discharges cause degradation and failure of electronic components. This includes sensors, weighers and print heads in industrial applications.

ANTI-STATIC TYPICAL APPLICATION



ELECTROSTATIC ELIMINATORS

THE BEST WAY TO NEUTRALISE STATIC CHARGES.

Static electricity is an electrical imbalance on the surface of a material. A static charge on a conductive material is destroyed by allowing it to flow to earth in the form of current. On a non-conductive material this is not possible because the charge will not move. Here the static charge needs to be supplied with charged particles, or ions, of the opposite polarity to cancel its electrical imbalance.

The best way of providing these ions is with ionised air. Ionised air consists of free moving positive and negative ions which readily combine with the electrical imbalance in the material to neutralise the charge.

BRAUER PRODUCTS

Brauer products produce ionised air in two ways:

High Voltage

Ionisation is produced when electricity at a high voltage is applied to a sharp point. All Brauer electrical static eliminators use this principle. Safety is ensured by reducing the current to a low level with resistors. All Brauer products are shockless and safe to touch. Brauer electrical static eliminators are available in the form of Bars, Blowers, Guns, Air Nozzles, Strip Airmovers.

Passive:

Passive static eliminators (anti-static brushes and tinsel) do not need to touch the material to neutralise the static charge. Positioned a few millimetres from the product, their fine filaments concentrate the electrostatic field to produce ionised air, which provides ions of the opposite polarity to neutralise the charge. (Anti-static brushes & tinsel available upon request)

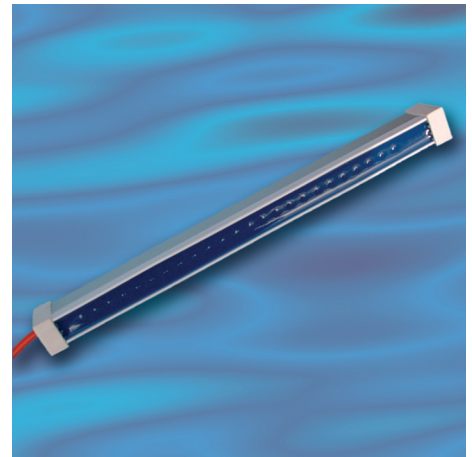
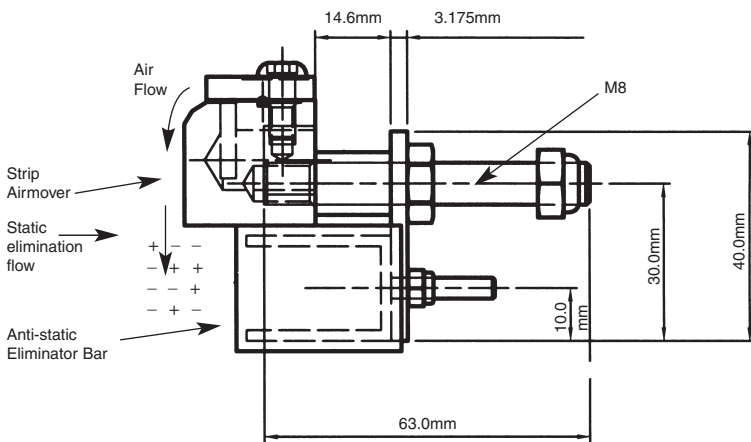
The following pages give details on the complete range of Brauer static control equipment, including instruments for measuring static electricity and static generation equipment.

Brauer products are used by leading manufacturing companies throughout the world.

COMPRESSED AIR STATIC ELIMINATORS

When ordinary compressed air is used to remove dust, its efficiency is limited. If the static charge holding the dust to the product is not neutralised, both the dust and the product will remain charged and capable of re-contamination. With ionised air, the static charge is eliminated, allowing high quality cleaning.

ANTI-STATIC STRIP AIRMOVERS



Model range AS combines a powerful static eliminator with an Strip Airmover which amplifies compressed air by a factor of 25 to produce a high speed, high volume sheet of ionised air. It is used to remove dust from mouldings, sheets and electrical assemblies.

Construction: Model AB, Eliminator bar fitted to Aluminium or Stainless Steel Strip Airmover.

Size: Available in lengths of 150mm, 300mm, 450mm, 600mm, 750mm, 900mm.

Power Unit: Use with PU50 range Power Unit

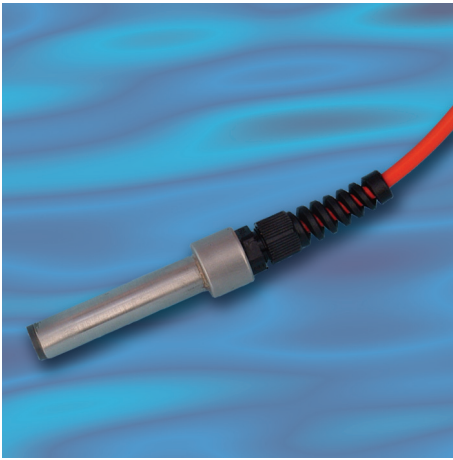
Cable: 2m of HT cable - other lengths can be specified at time of order.

Air supply: The output of the Strip Airmover is regulated by the incoming air pressure. The air pressure may be 1-7 Bar. The air should be clean and dry. It is important that the air supply and pipe work can deliver the required volume of compressed air.

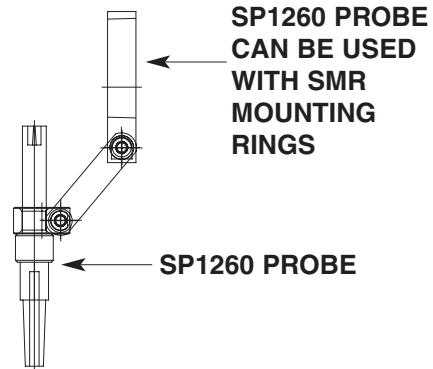
Model Numbers	
Aluminium Model No.	Stainless Steel Model No.
AS150	AS150SS
AS300	AS300SS
AS450	AS450SS
AS600	AS600SS
AS750	AS750SS
AS900	AS900SS

Supply Pressure in Bar	Vol in m ³ /min
2	0.019
3	0.022
4	0.027
5	0.033
6	0.039

ANTI-STATIC SINGLE POINT PROBE SP1260



- Length:** Metal barrel: 72mm x 12mm
- Cable:** 2m of screened HT cable is supplied
Customer may specify up to 10m.
- Options:** Air assistance see AN150, AN300 single point nozzles
- Max. Temperature:** 60°C
- Safety:** 100MΩ resistance for shockless operation
- Power Unit:** PU504 Power Unit (5.5kV)



Compact, high performance static eliminator suitable for neutralising the static charge on trim, tapes, yarn and other small objects.

Performance

Resistively coupled design produces large volume of ionisation for neutralising fast speed and high charges.

The design geometry projects the ionisation to give an operating distance of up to 80mm.

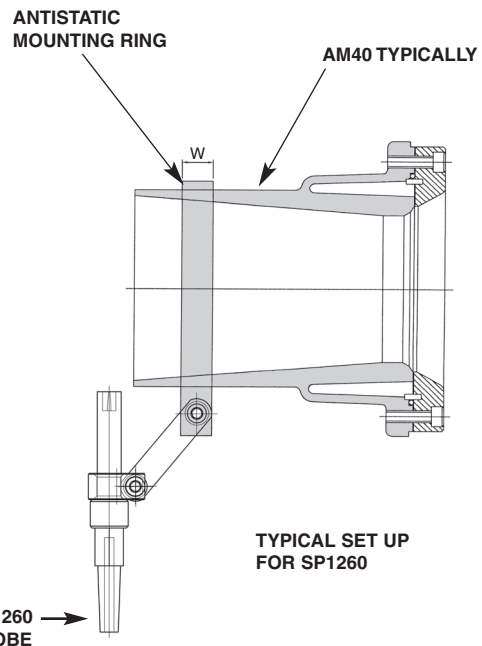
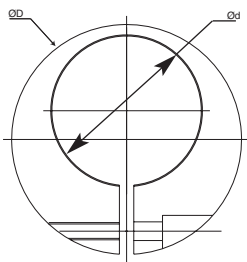
Construction

Robust stainless steel and PVC body, with nylon cable gland.

All critical parts are encapsulated for a long life and market-leading reliability.

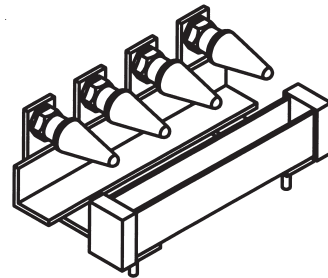
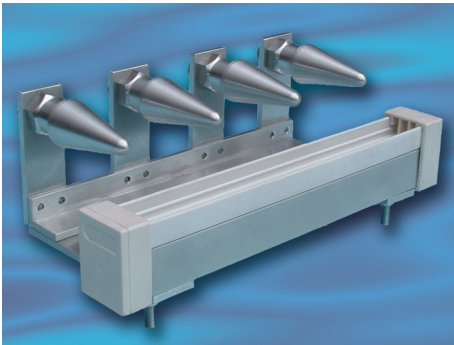
Compact and easy to install.

ANTI STATIC PROBE MOUNTING RINGS SMR

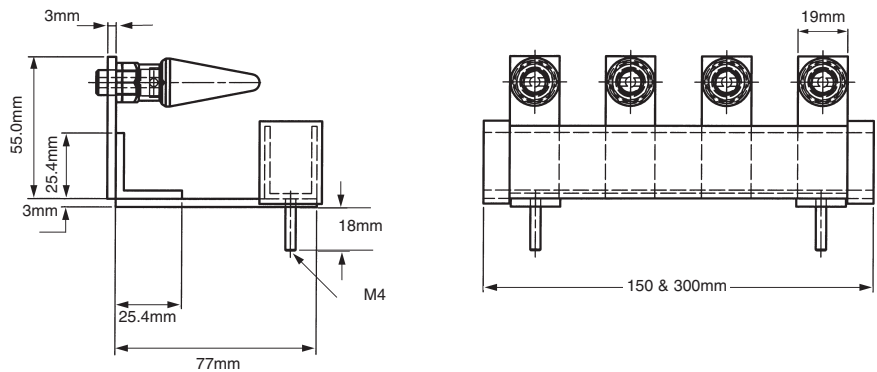


MODEL NO.	AIRMOVER	Ød/mm	ØD/mm	w/mm
SMR 10	AM10	19	35	12
SMR10A	SS10A, AA10A, AM10A	20.5	35	12
SMR 20	AM20	31.6	50	15
SMR 20A	SS20A, AA20A, AA20A	30.5	50	15
SMR 40	AM35, AM40	52	80	15
SMR 40A	AM35A, SS40A, AA40A, AM40A	50.5	80	15
SMR 60A	AM60A, SS60A, AA60A	76.5	108	15
SMR 75A	AM75A, SS75A, AA75A	96.5	130	15

AN150, AN300 ANTISTATIC AIR NOZZLE BARS

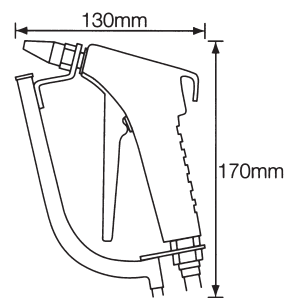


Model	Available length (mm)
AN150	150
AN300	300



Custom machine mounted air nozzle systems can be designed to meet the customers exact requirements - from a single nozzle operated by a footpedal to large automatic systems. These are particularly useful for cleaning large mouldings before paint spraying.

4100 IONISED AIRGUN



Model 4100 is a heavy duty ionised airgun for removing dust and other contaminants from sheets, mouldings, optics, electronic assemblies, automobile bodies and extrusions. It kills the static charge on both the dust and the substrate to allow a thorough cleaning.

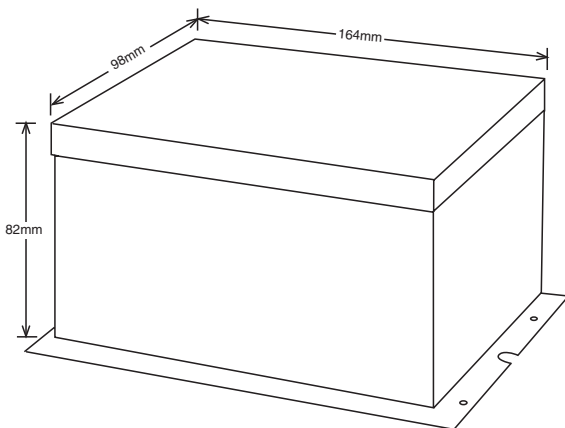
Construction: Stainless steel ionisation head and guard, plastic handle, aluminium nozzle

Airflow: The air nozzle amplifies the compressed air by 20:1 to produce a high volume of fast-moving air. Air pressure up to 7 Bar. At typical working pressure of 4 Bar the air consumption is 220 SLPM.

Health & Safety: The ionisation head is completely shockless. The air nozzle cannot be dead-ended so it meets OSHA and other safety standards. The full-hand trigger is comfortable to use and reduces fatigue. The 4100 is quiet - at 4 Bar the noise level is 65dBA.

POWER UNITS

The power units provide the power for most Brauer static eliminators. The PU50 power unit is the heart of the Brauer static control equipment e.g. AB Bars, Strip Airmovers, 4100 Guns, Nozzles and SP1260 Probe. The PU50 produces high voltage, low current in a controlled and safe way. It has a compact size and is suitable for most industrial environments.

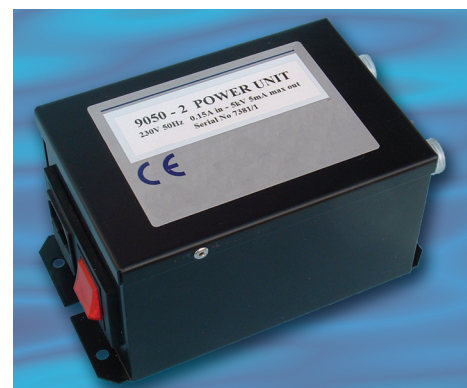
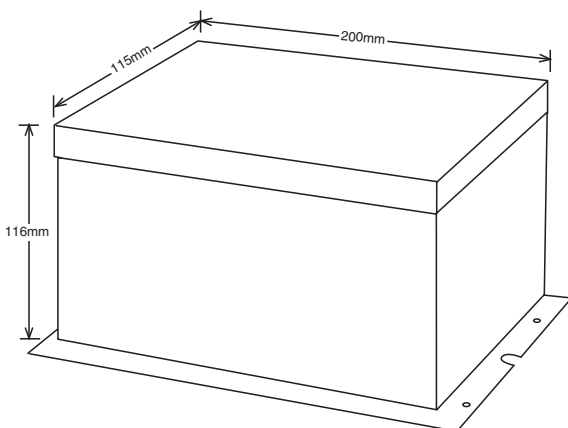
POWER UNIT PU502

Construction: Steel, dry powder coated case, with totally encapsulated windings.

Safety: The PU502 is current limited to 5mA. If a fault in the system tries to draw more than 5mA the PU502 will cut out.

Performance: The PU502 has two connectors/outputs. The maximum load which they can supply is:
 AB Bars: 12m of combined bar and HT cable.
 4100 Guns: 2 units with maximum total cable length of 10m.

Electrical: On/off switch. Suitable for 50Hz or 60Hz. IEC connector with integrated fuse. A 2m cable and plug to suit country of order will be supplied unless otherwise ordered. Maximum temperature 55°C. Should be kept dry and oil-free.

POWER UNIT PU504

Same specification as PU502, but with four connections/outputs.

ELECTROSTATIC MEASURING INSTRUMENTS

Static electricity is a difficult subject. In an industrial environment it is almost impossible to understand it without a method of measuring to see what is actually happening. Brauer Static Meters assist the industrial engineer in understanding the problem and enable them to control and monitor it scientifically.

A good static meter allows the industrial engineer to analyse static, how the static is generated, its magnitude and its polarity. The static meter monitors the effectiveness of the action taken to solve the problem. If the solution involves static elimination equipment, the meter shows the most effective positioning for this equipment and can monitor its performance. A static meter allows the engineer to set standards to avoid future problems. Brauer Static Meters are the leading instruments in their class - easy to use, accurate and reliable. They conform to the latest international standards and offer an unrivalled specification.

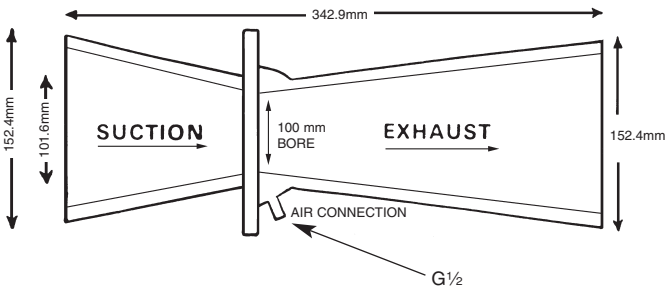
STATIC METERS 710 / 710E



The 710 Static Meter is an advanced instrument for general factory use. It was developed to provide industrial engineers with an accurate, reliable and cost-effective method of analysing industrial static problems. It is equally useful in production, technical, quality and service departments.

Specification	710	710E
Range / Resolution:	0 - 150kV / 100V	0 - 20kV / 10V
Drift:	< 0.1 % in 10secs	As 710
Standard:	EN-500081-1	As 710
Calibration:	BS7506-2	As 710
Size, Weight:	142 x 66 x 32mm, 330g	As 710
Construction:	Aluminium case with recessed sensing plate for maximum integrity and accuracy.	
Operation:	Push button to zero and make reading of surface voltage at distance of 100mm.	
Equipment:	Supplied with carrying case, PP3 9V battery, earth lead and certificate of calibration.	

ANTI-STATIC EXTRACTOR VENTILATOR AEV4



Material: GRP.

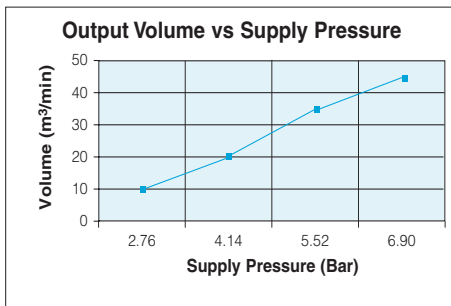
Weight: 1.75Kg

dB(A) at: 5.5 bar is 85

Takes 152mm ducting

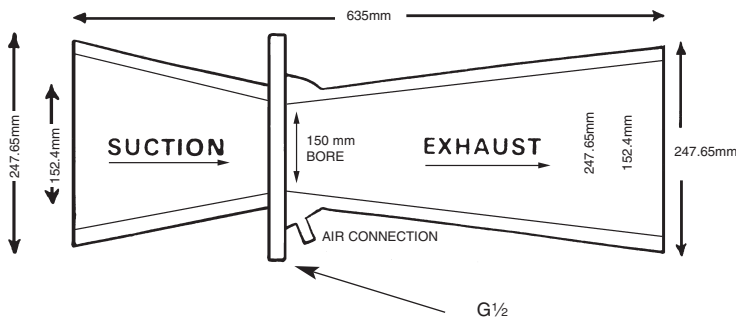
Standard Inlet Threads: G $\frac{1}{2}$

Option: $\frac{1}{2}$ " NPT
Please specify on order



Bar	Vol out m 3 /min
2.76	10.2
4.14	20.4
5.52	35.4
6.90	45.3

ANTI-STATIC EXTRACTOR VENTILATOR AEV6



Material: GRP.

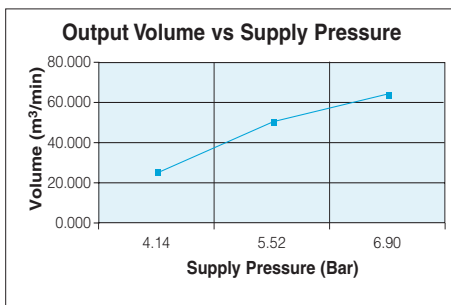
Weight: 5Kg

dB(A) at: 5.5 bar is 78

Takes 254mm ducting

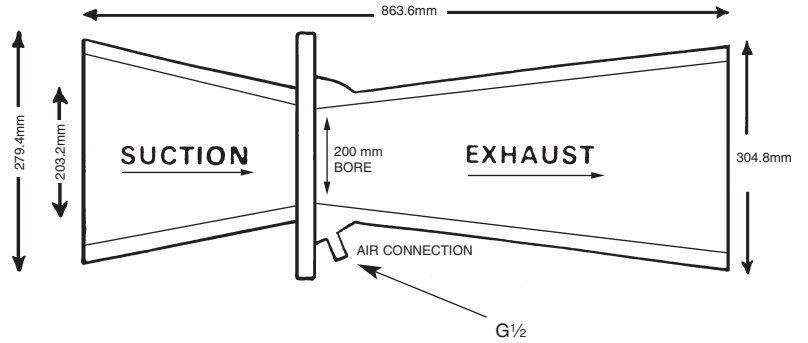
Standard Inlet Threads: G $\frac{1}{2}$

Option: $\frac{1}{2}$ " NPT
Please specify on order



Bar	Vol out m 3 /min
4.14	27.8
5.52	51.0
6.90	65.0

AEV8 ANTI-STATIC EXTRACTOR VENTILATOR



Material: GRP.

Weight: 7.5Kg

dB(A) at: 5.5 bar is 75

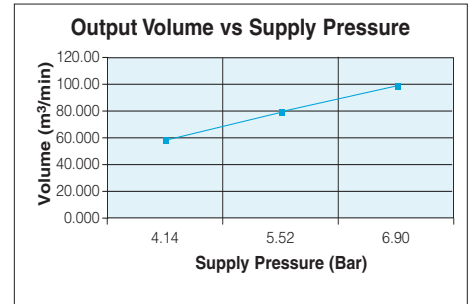
Takes 305mm ducting

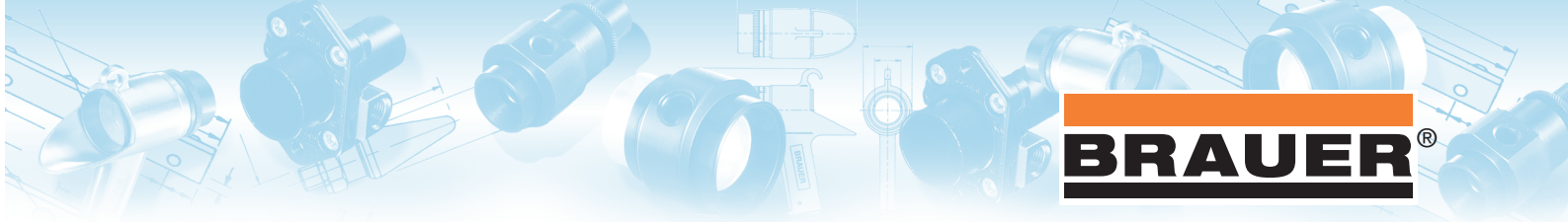
Standard Inlet Threads: G $\frac{1}{2}$

Option: $\frac{1}{2}$ " NPT

Please specify on order

Bar	Vol out m ³ /min
4.14	56.6
5.52	76.5
6.90	96.3





BRAUER®

AIRMOVERS

CALL US AT: + 44 1908 374022 OR FAX US AT: + 44 1908 641628

OTHER **BRAUER**[®] PRODUCTS

CLAMPING PRODUCTS



PNEUMATIC WORKHOLDING



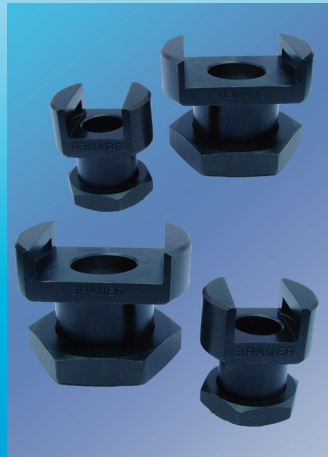
MACHINE ACCESSORIES



WHEELS AND CASTORS



AIR FEED LOCK LINER BUSHES



HOIST RINGS



For further details contact

BRAUER[®]

M & R 981 LTD T/A HMC BRAUER
DAWSON ROAD, MOUNT FARM, MILTON KEYNES,
BUCKS MK1 1JP, ENGLAND

TEL: 00 44(0)1908-374022 FAX: 00 44(0)1908 641628
email: sales@brauer.co.uk web: www.brauer.co.uk

Authorised Dealer stamp